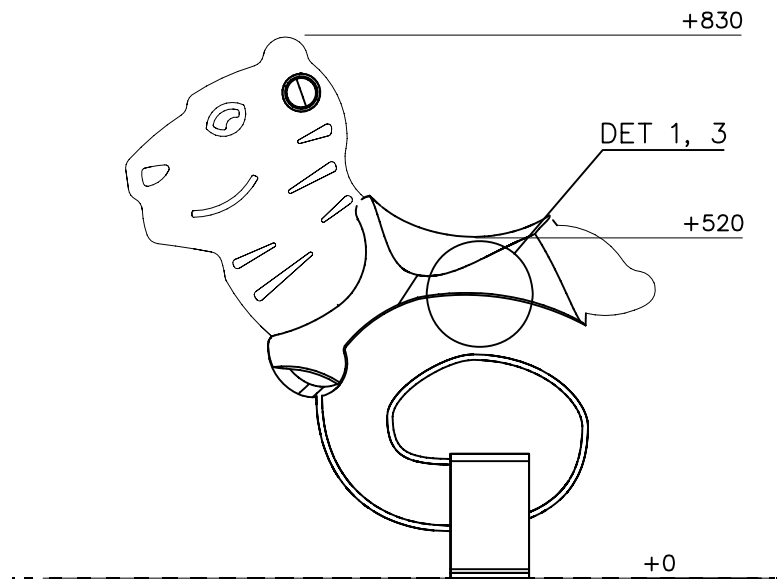
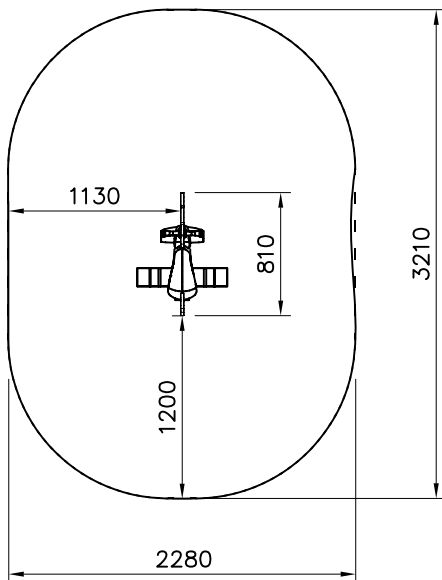
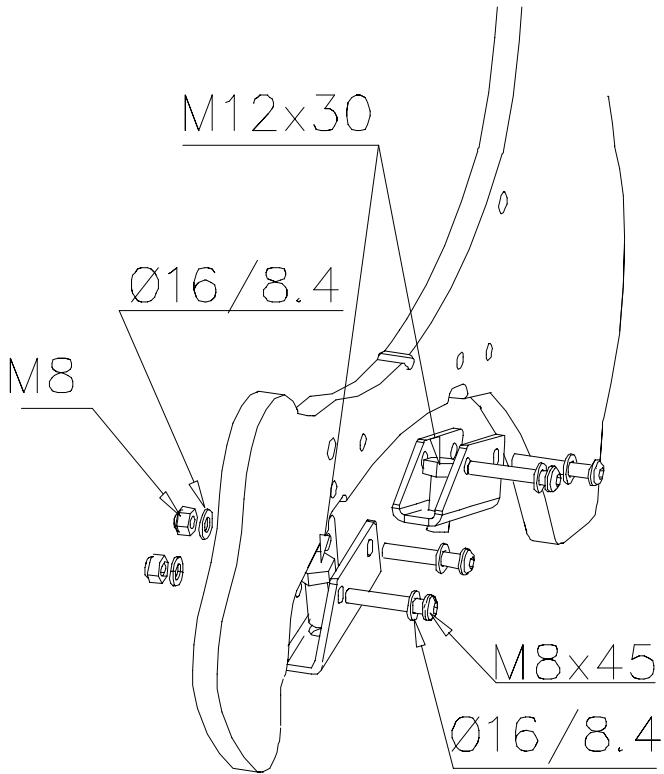


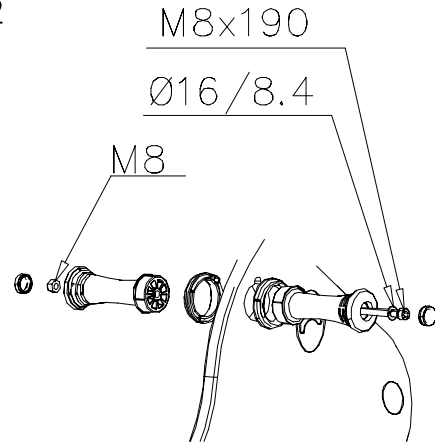
— EN Impact Area 6.4 m²
 - - - Falling Space 6.4 m²
 Max Falling Height 520 mm



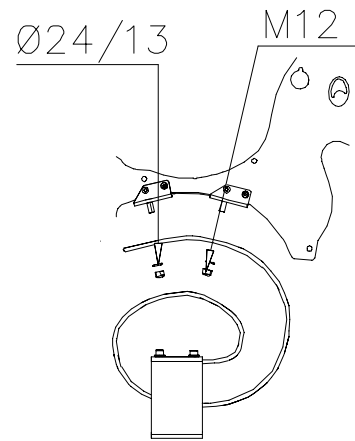
DET 1



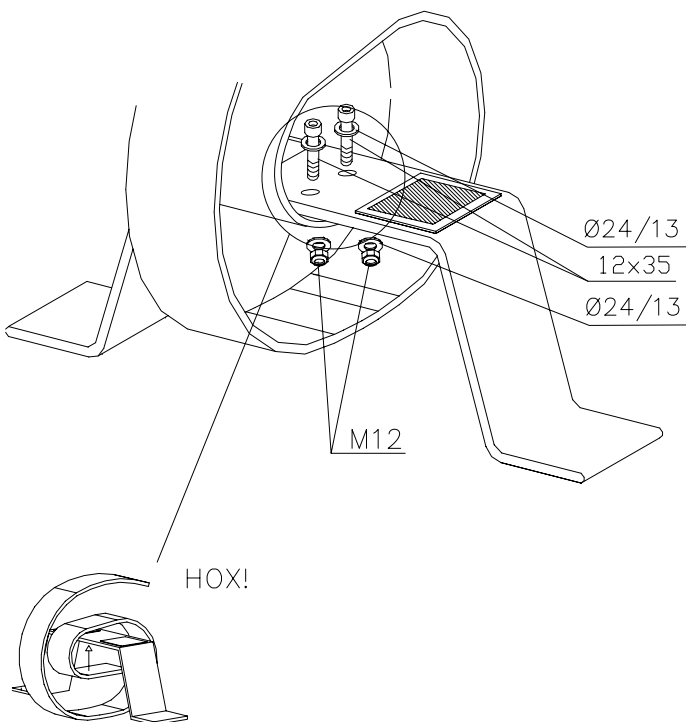
DET 2



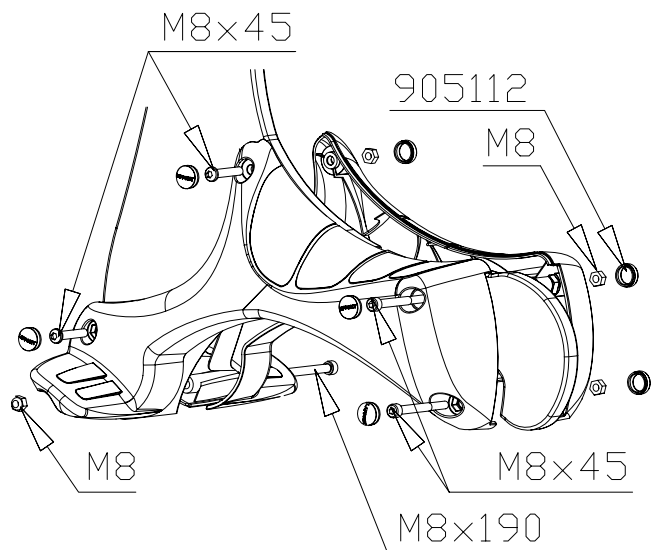
DET 3


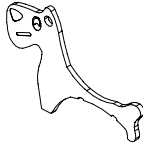

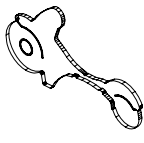
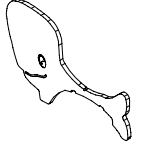


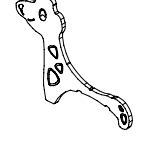
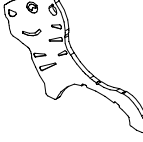
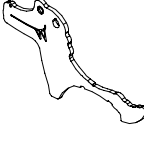
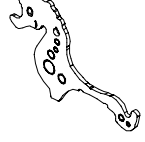

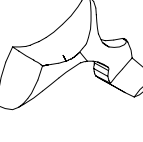
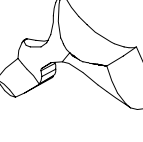

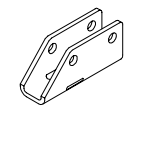
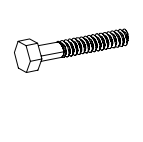

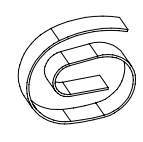
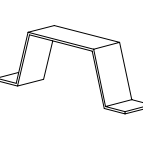

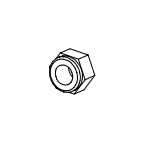
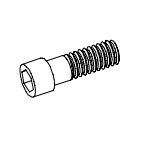
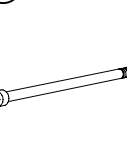
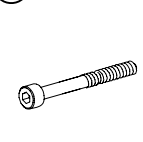
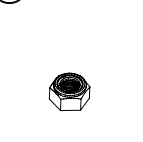
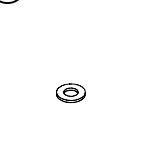
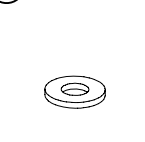


DET 4



DET 5



① 701988 (010501) 	PCS 1	① 701960 (010502) 	PCS 1	① 701991 (010503) 	PCS 1	① 702025 (010504) 	PCS 1	① 702023 (010505) 	PCS 1	① 702024 (010506) 	PCS 1
① 702028 (010507) 	PCS 1	① 702027 (010508) 	PCS 1	① 704435 (010509) 	PCS 1	① 704436 (010510) 	PCS 1	① 704437 (010511) 	PCS 1		
② 901899  M8x45	PCS 6	③ 902095  RIGHT	PCS 1	④ 902133  LEFT	PCS 1	⑤ 902211 	PCS 2	⑥ 902303 	PCS 2	⑦ 903250  M12x30	PCS 2
⑧ 905023 	PCS 2	⑨ 905032  8,5x90	PCS 1	⑩ 905106  590x190x120	PCS 1	⑪ 905112  Ø22	PCS 10	⑫ 906511  M12	PCS 4	⑬ 909146  M12x35	PCS 2
⑭ 909195  M8x190	PCS 2	⑮ 909340  M8x80	PCS 2	⑯ 980150  M8	PCS 10	⑰ 980151  Ø16/8.4	PCS 9	⑱ 980154  Ø24/13	PCS 6		