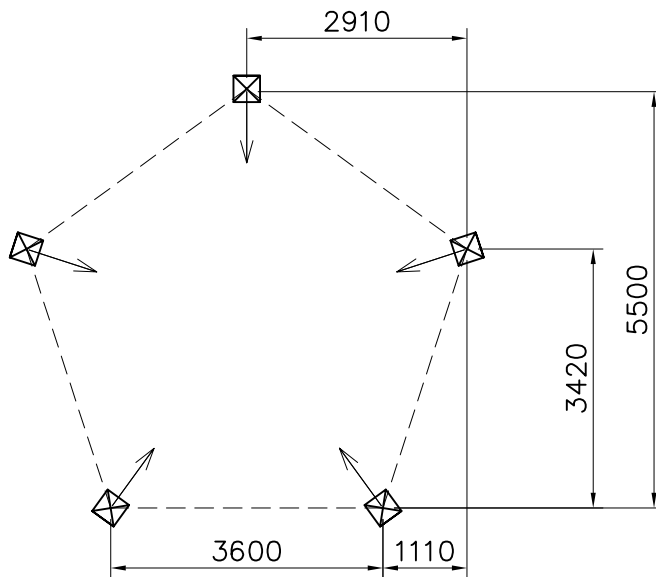
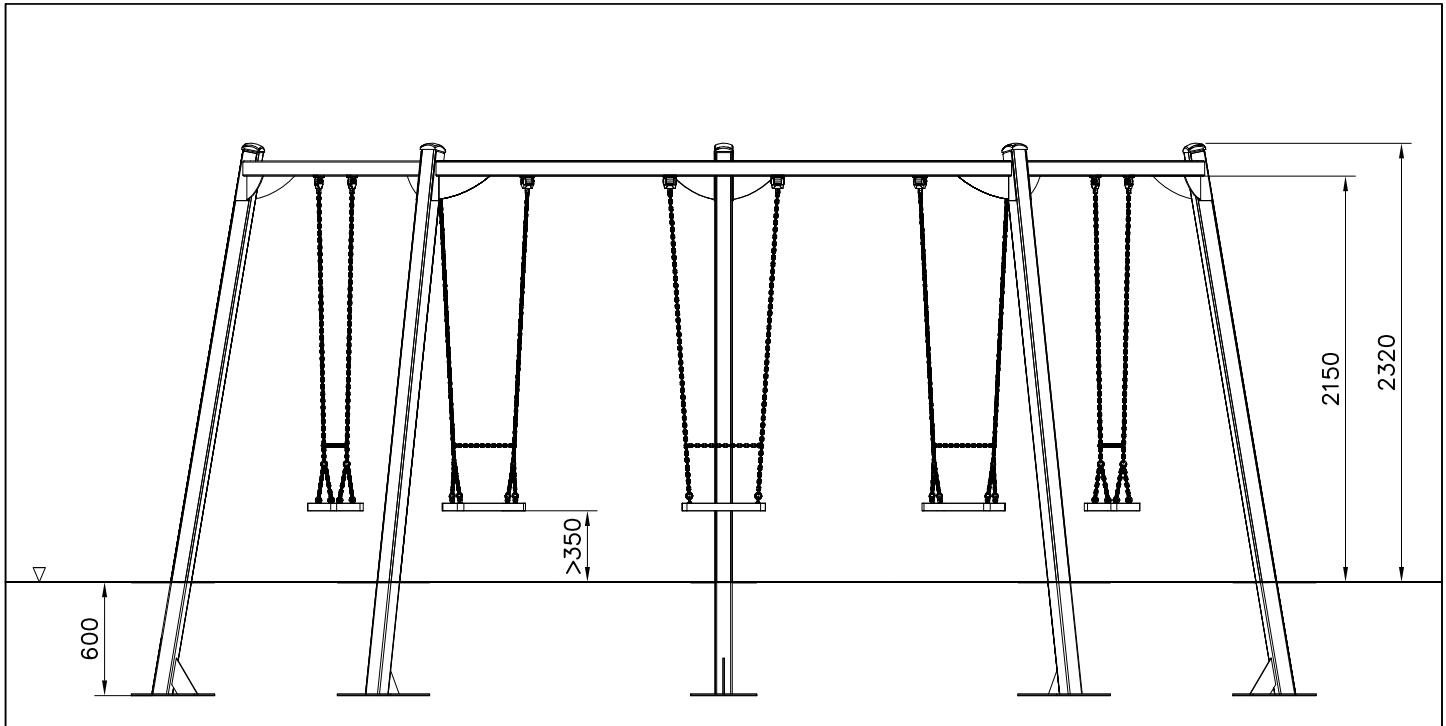


① 904463 36,5x95x95 PCS 5	② 904700 L 2950 PCS 5
③ 904491 3100x261x96 PCS 5	④ 904494 M10x120 PCS 20
⑤ 904548 582x211x70 PCS 5	⑥ 904904 PCS 10
⑦ 905083 Ø32 PCS 40	⑧ 905104 M10 PCS 40
⑨ 905112 Ø22 PCS 40	⑩ 905137 20x69x69 PCS 5
⑪ 909256 Ø16/8.4x1.6 PCS 5	⑫ 909331 M8x40 PCS 5
⑬ 909600 M8x70 PCS 20	⑭ 909638 Ø20/10.5 PCS 40

BASE (1:100)



⑮ 909644 M12 PCS 10	⑯ 980150 M8 PCS 20	⑰ 980151 Ø16/8.4 PCS 40	⑱ 980161 M10 PCS 20	⑲ 980154 Ø24/13 PCS 10	⑳ 704253 PCS 5	702341 90X50 PCS 1
---------------------------	--------------------------	-------------------------------	---------------------------	------------------------------	-------------------	--------------------------



— EN Impact Area 46 m<sup>2</sup>  
 - - - Falling Space 46 m<sup>2</sup>  
 Max Falling Height 1300 mm

