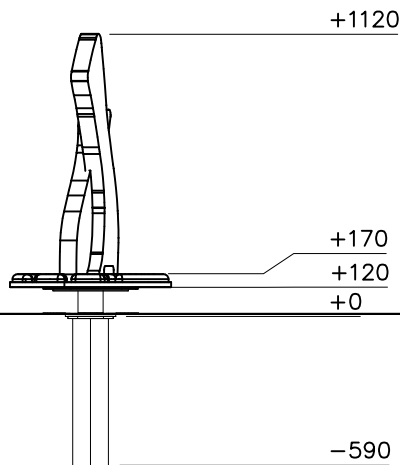
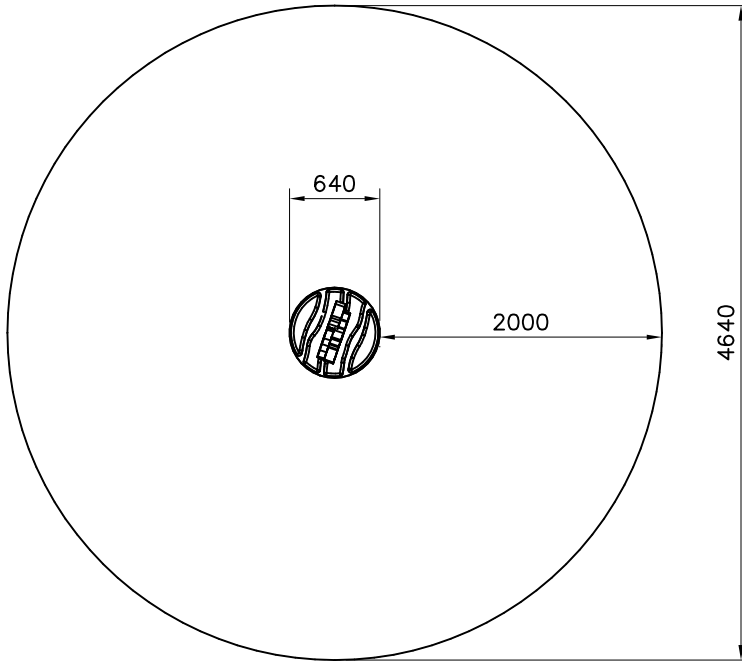
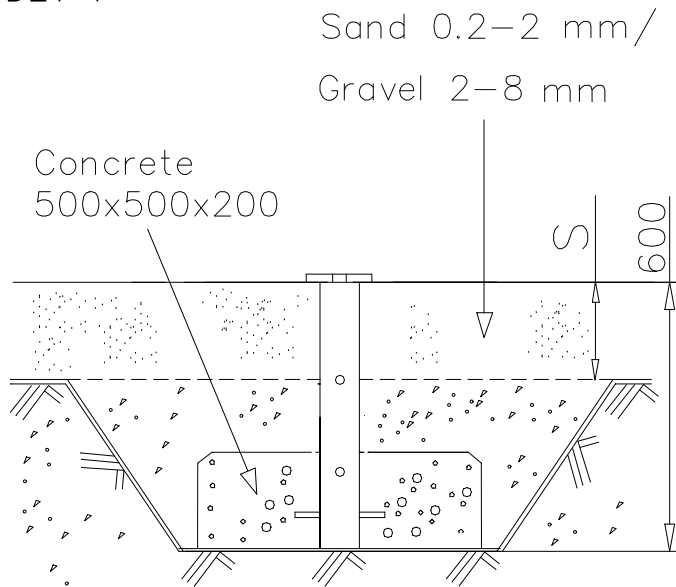


—— EN Impact Area 16.9 m<sup>2</sup>  
 - - - - Falling Space 16.9 m<sup>2</sup>  
 Max Falling Height 1000 mm

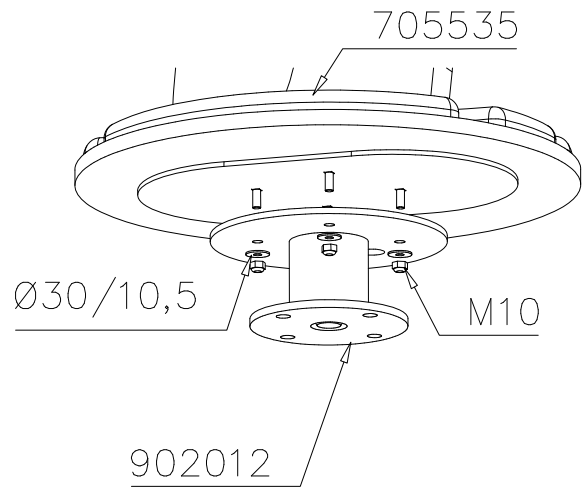


① 702286	PCS	② 705535	PCS
	1		1
90x50			
③ 902012	PCS	④ 902487	PCS
	1		1
Ø300x118		65x65	
⑤ 903107	PCS	⑥ 909248	PCS
	1		4
l=600		M12	
⑦ 909255	PCS	⑧ 909347	PCS
	4		4
Ø30/10.5		M12x35	
⑨ 909506	PCS	⑩ 980154	PCS
	4		8
Ø3.5x13		Ø24/13	
⑪ 980161	PCS		PCS
	4		
M10			
	PCS		PCS
	PCS		PCS

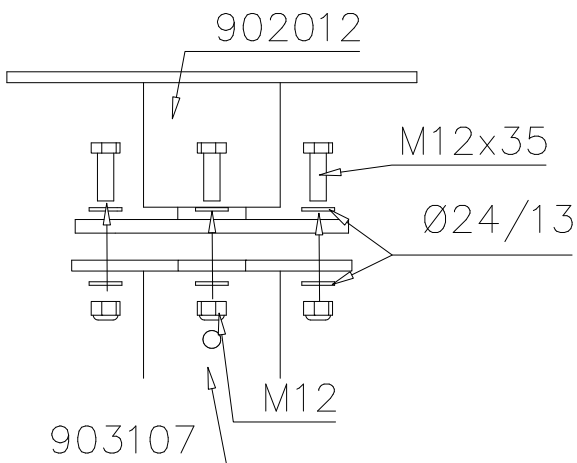
DET 1



DET 2



DET 3



DET 4

