

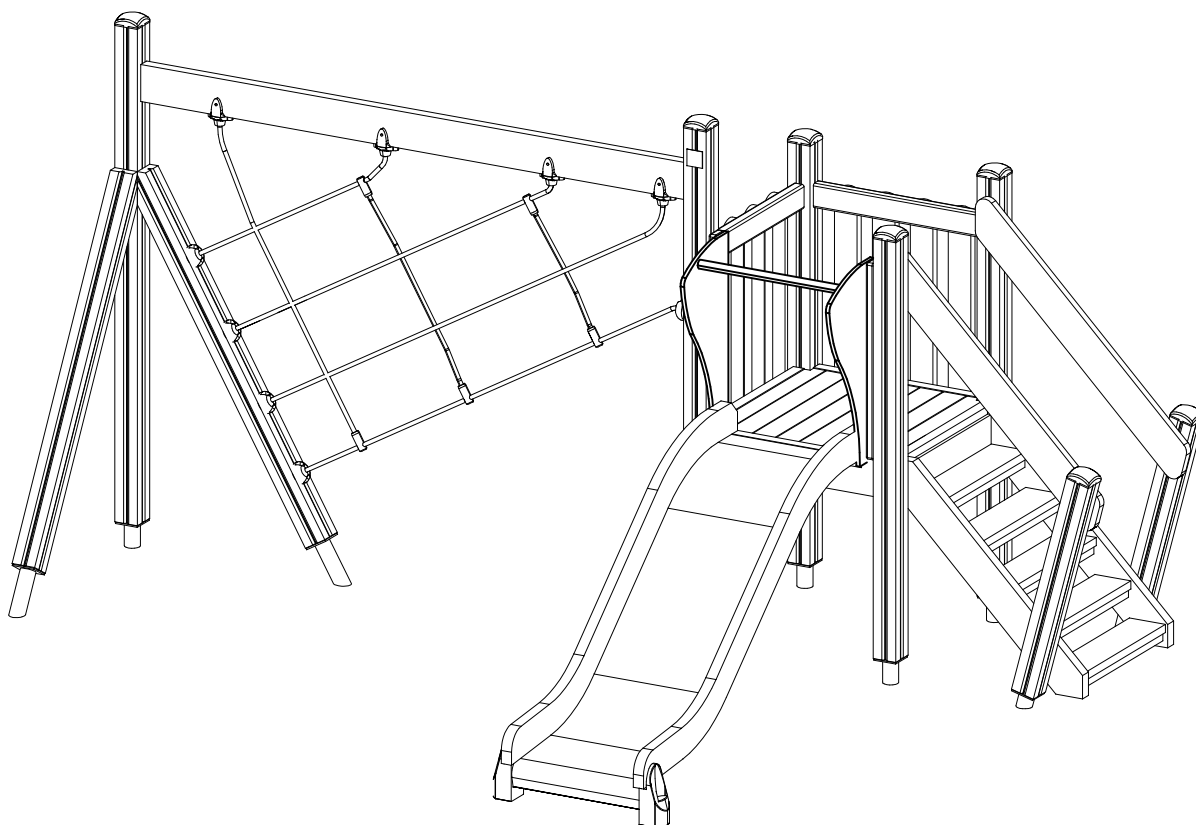
LAPPSET®

CLOVER

ASENNUSOHJE
MONTERINGSANSVISNING
INSTALLATION INSTRUCTION
AUFBAUANLEITUNG
NOTICE D'INSTALLATION

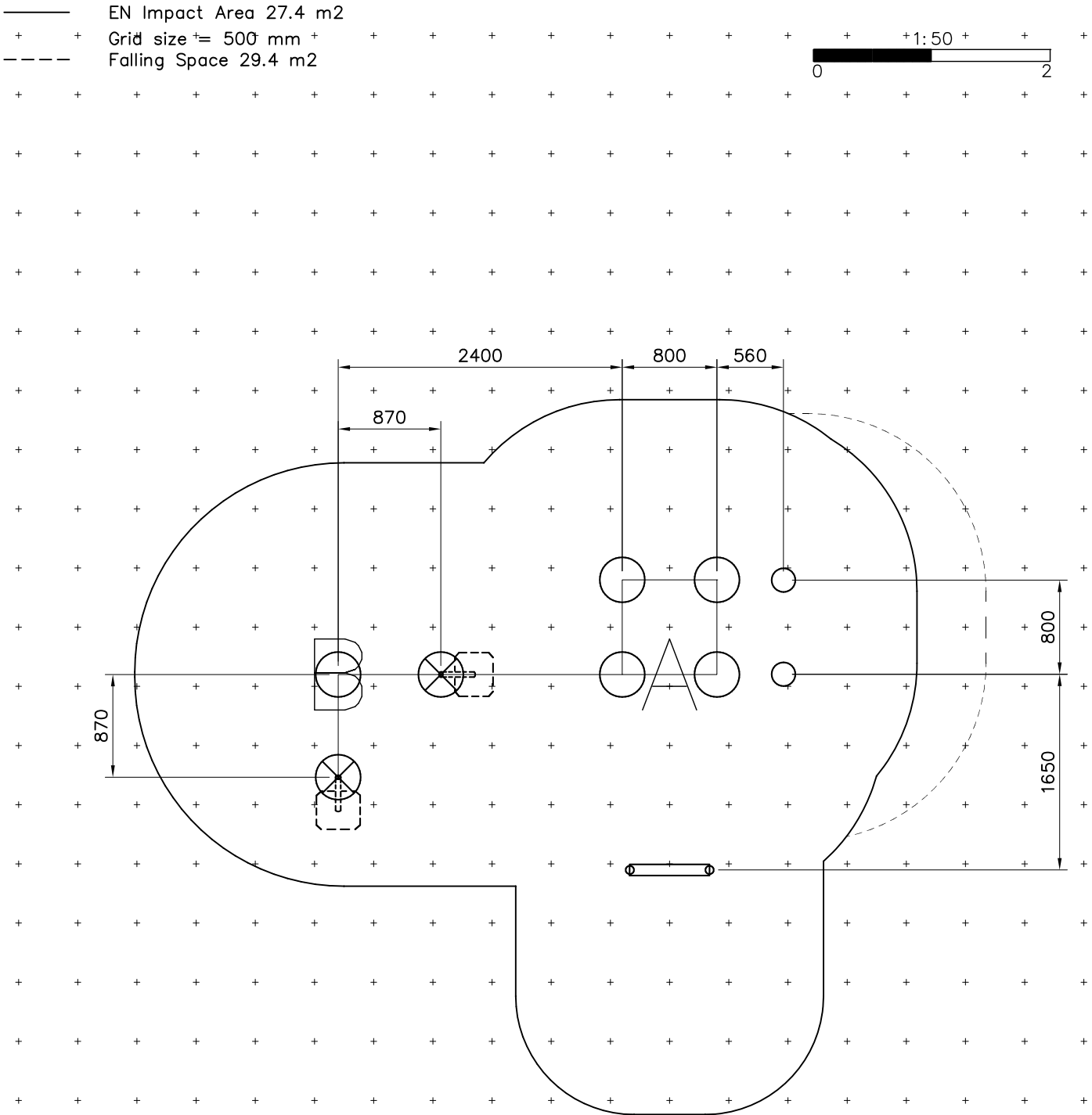
DATE: 7.8.2013

175050

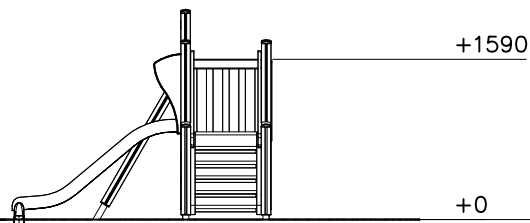
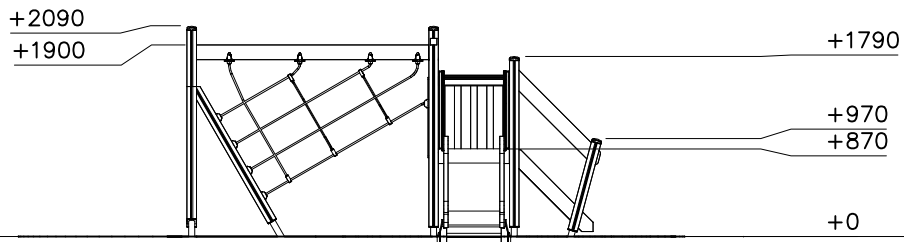
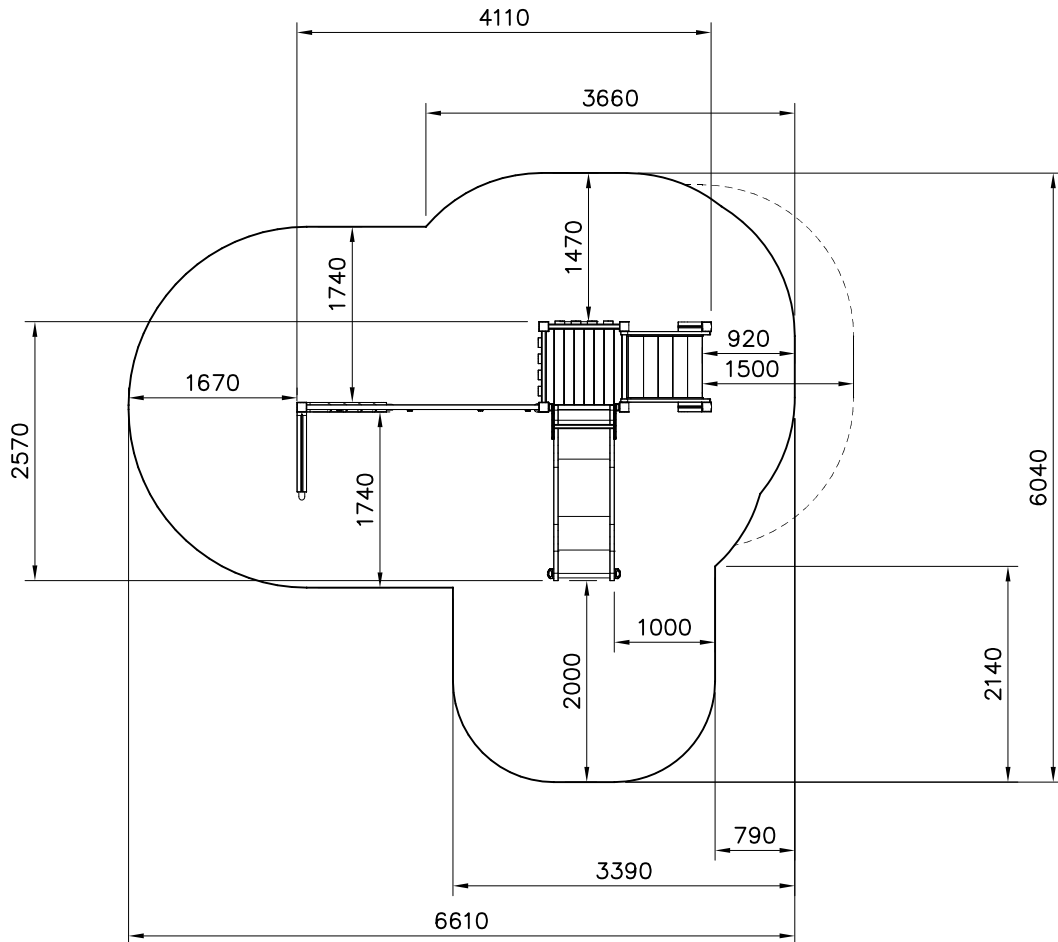
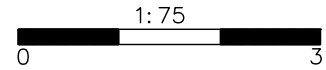


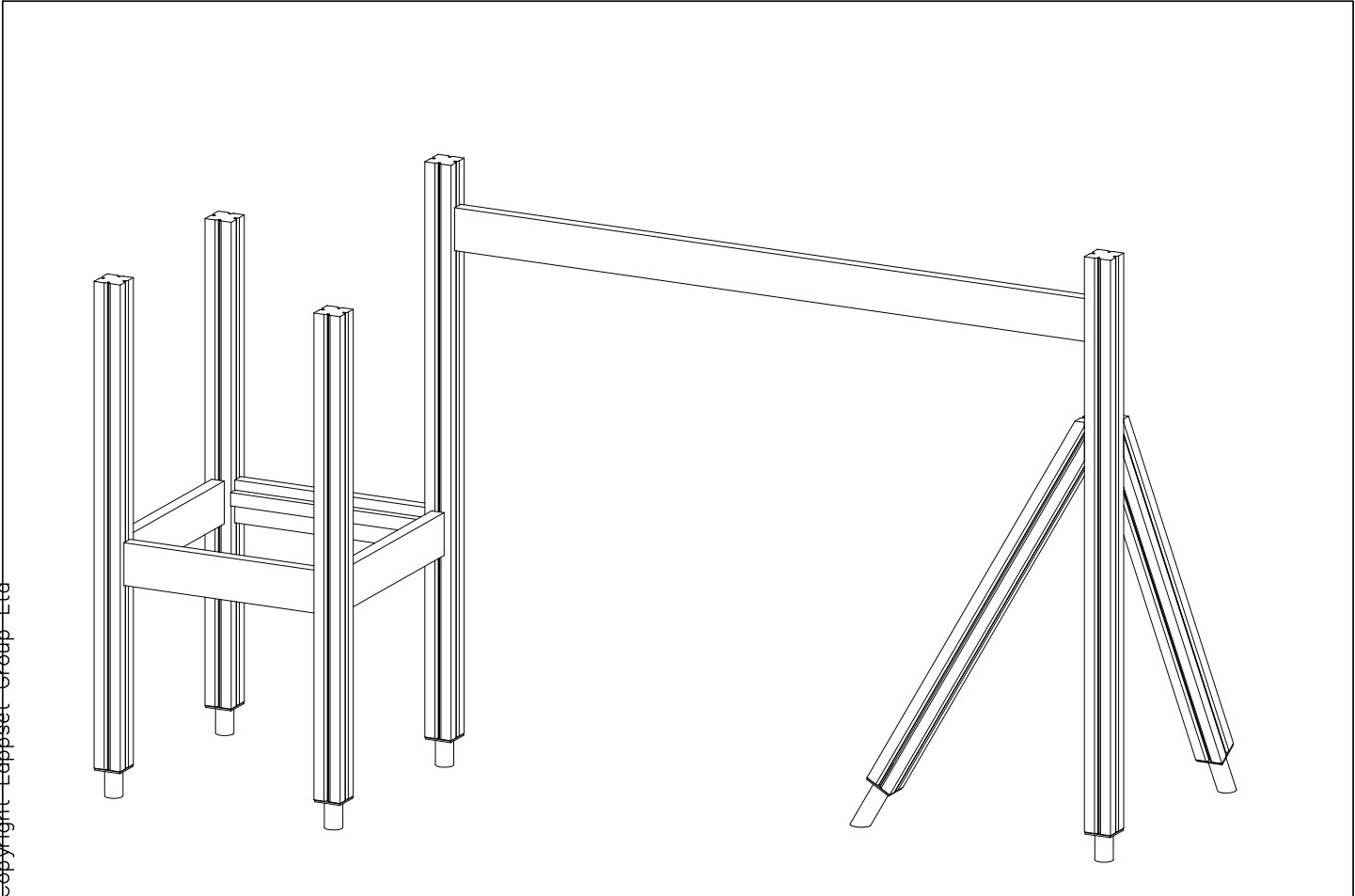
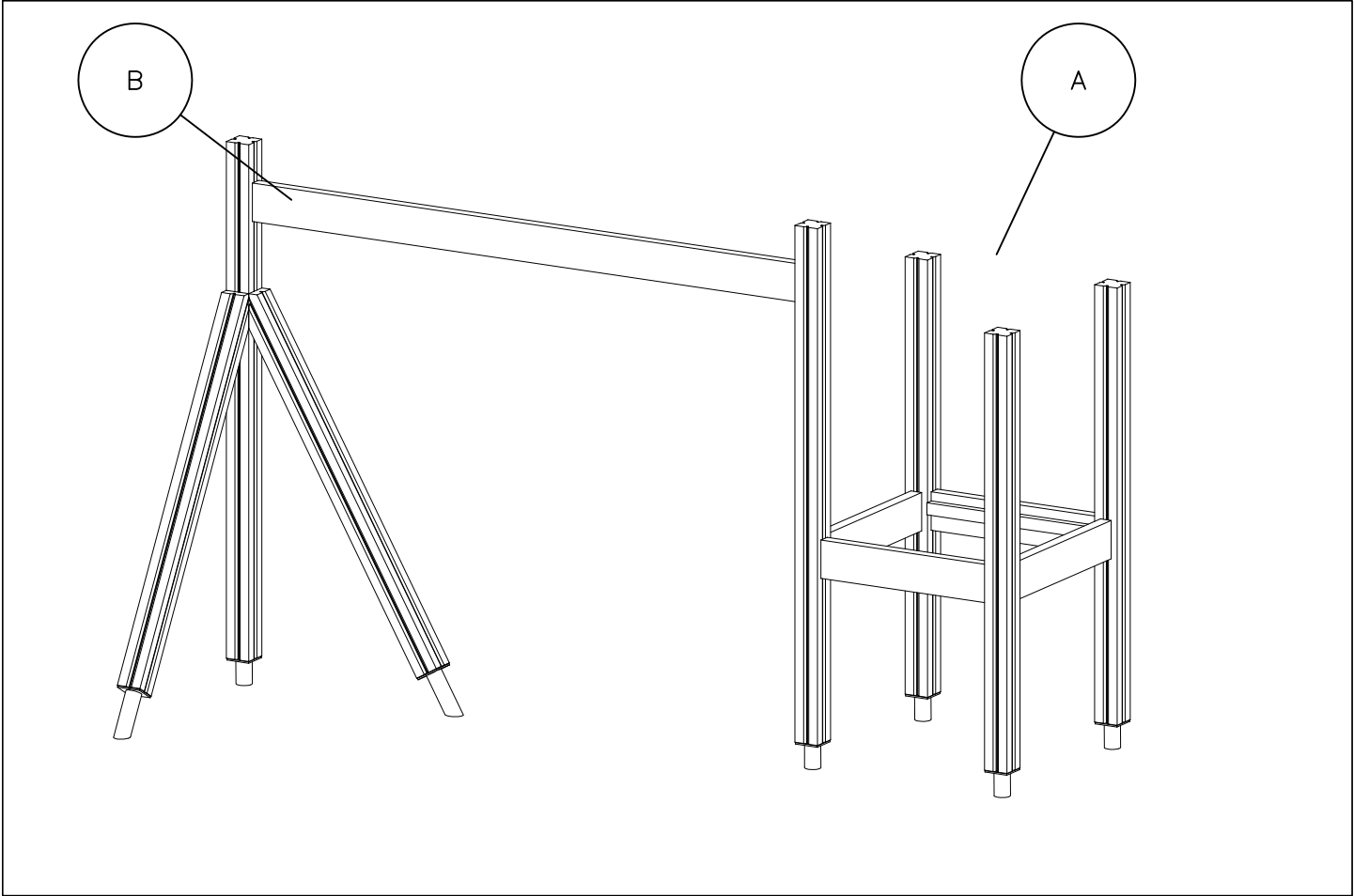
DATE: 7.8.2013

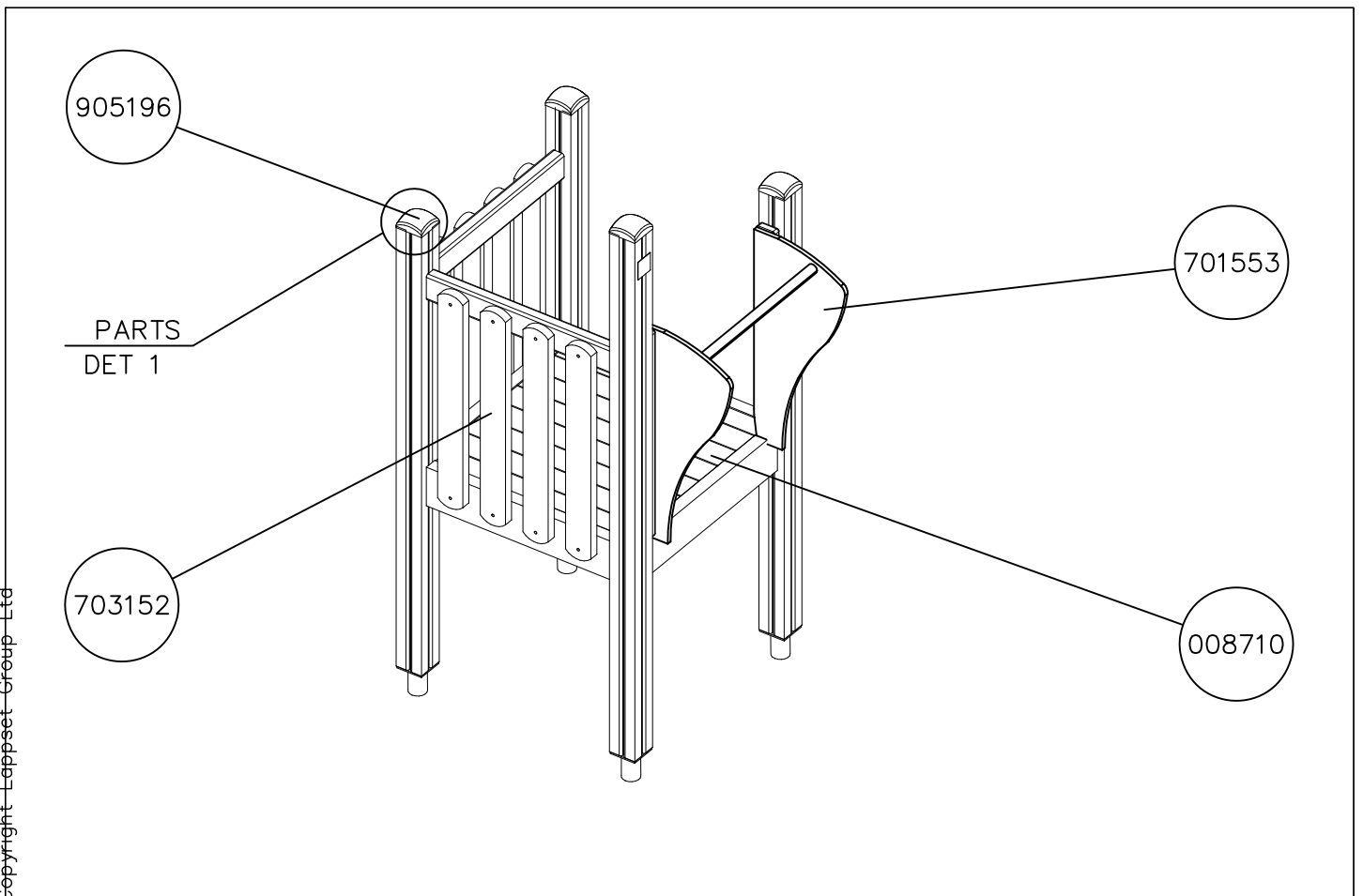
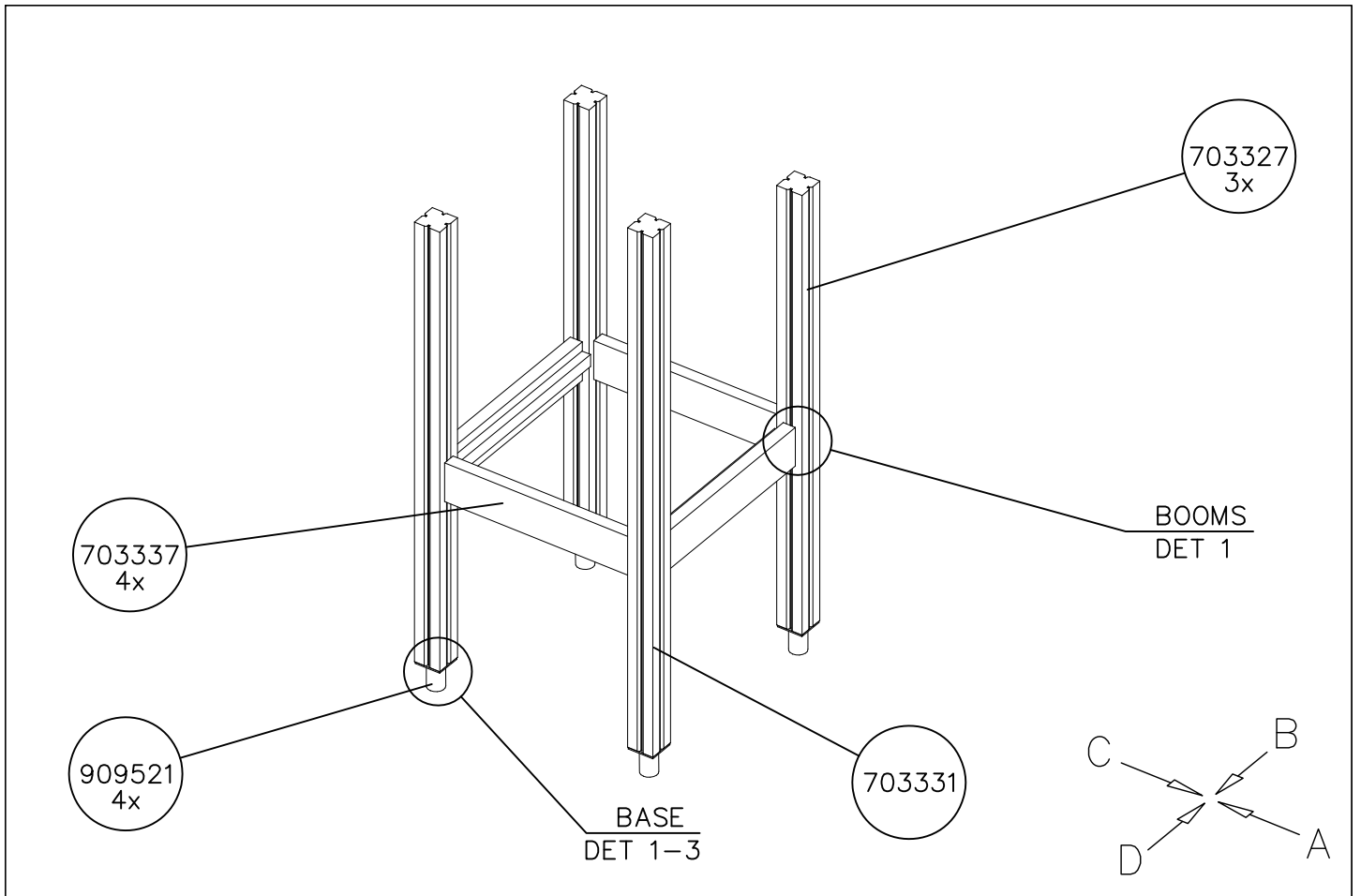
008710	PCS 1	701300	PCS 1	703327	PCS 3	703331	PCS 2	703325	PCS 2	703337	PCS 4
L 1650		L 1950		L 1530		L 704					
703340	PCS 1	701553	PCS 1	702286	PCS 1	703152	PCS 2	703299	PCS 1	703300	PCS 1
L 2304		90x50									
900240	PCS 10	902487	PCS 1	905051	PCS 24	905104	PCS 28	905138	PCS 5	905196	PCS 5
8x70		65x65		Ø24/8.4		M10		GRAY		GRAY	
909231	PCS 2	909233	PCS 2	909238	PCS 20	909506	PCS 4	909521	PCS 7	980123	PCS 8
8x130		8x100		8x90		Ø3.5x13				Ø6x60	
980128	PCS 4	980131	PCS 20		PCS		PCS		PCS		PCS
Ø6x45		Ø6x60									
	PCS		PCS		PCS		PCS		PCS		PCS
	PCS		PCS		PCS		PCS		PCS		PCS



— EN Impact Area 27.4 m²
Max Falling Height 1900 mm
- - - Falling Space 29.4 m²



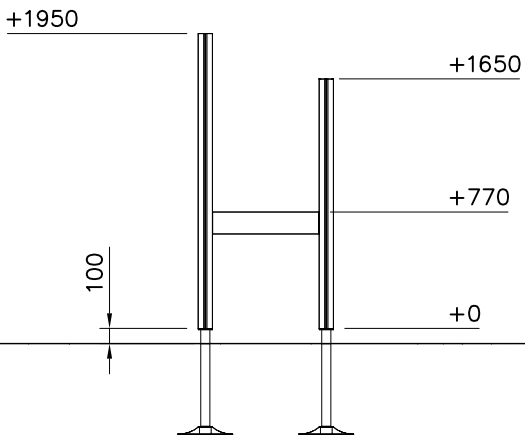




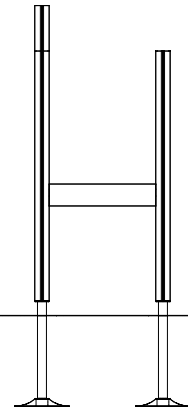
DATE: 7.8.2013

1:50

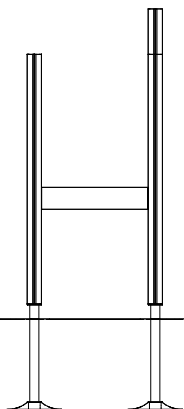
(A)



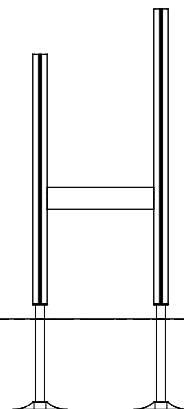
(B)

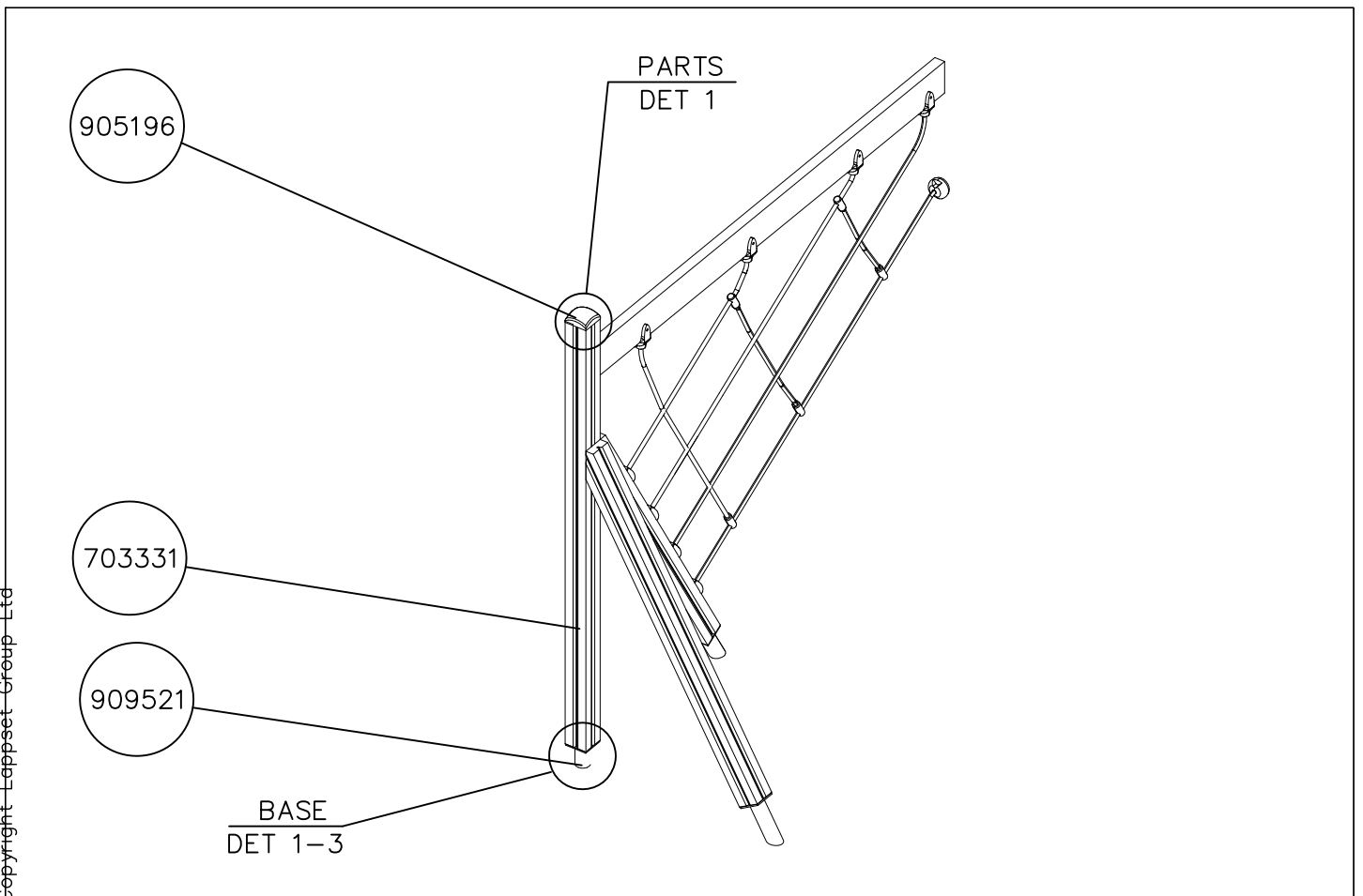
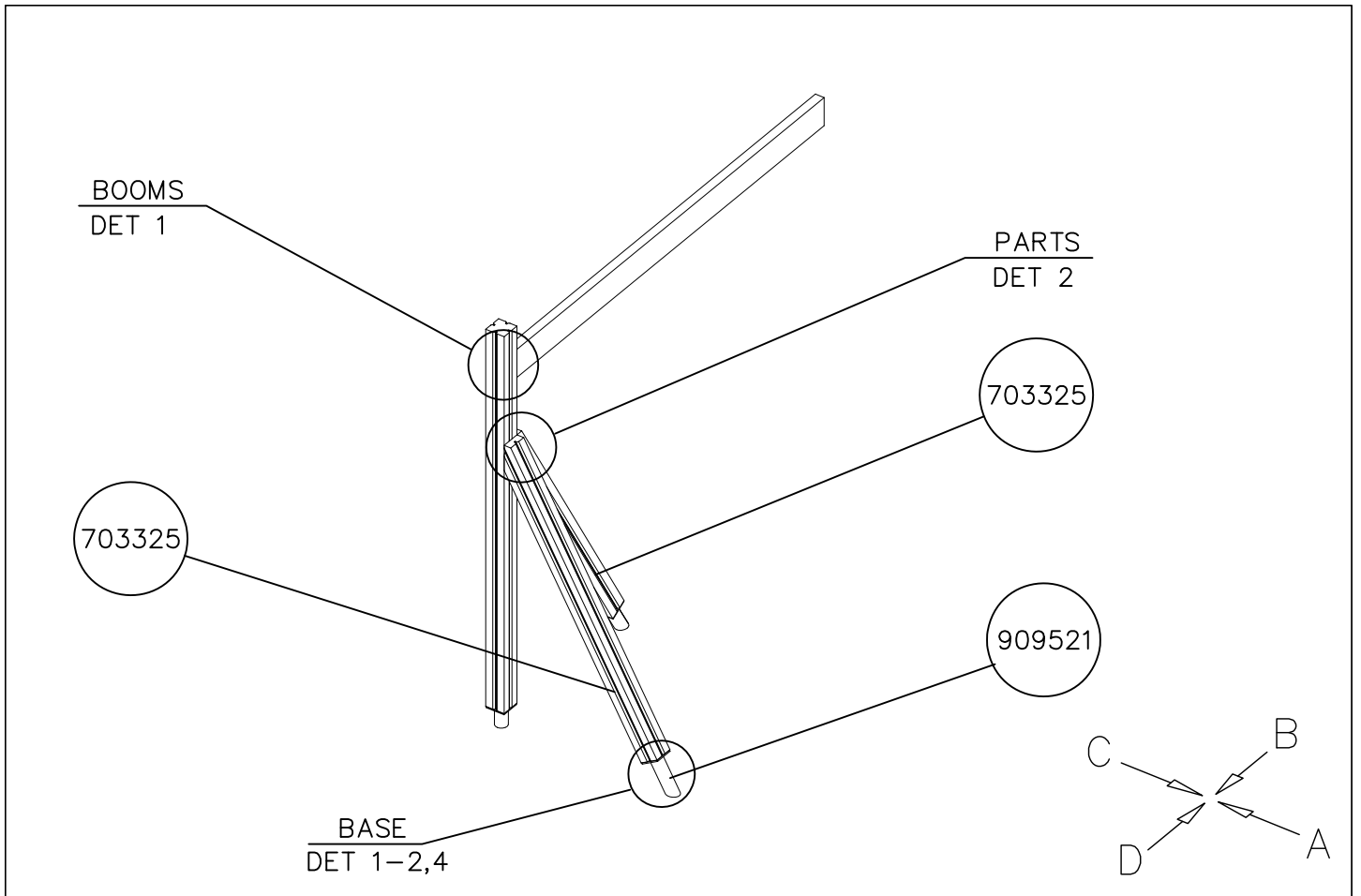


(C)



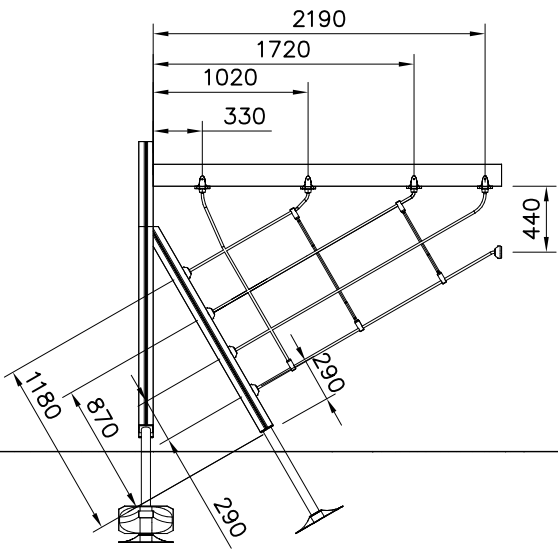
(D)



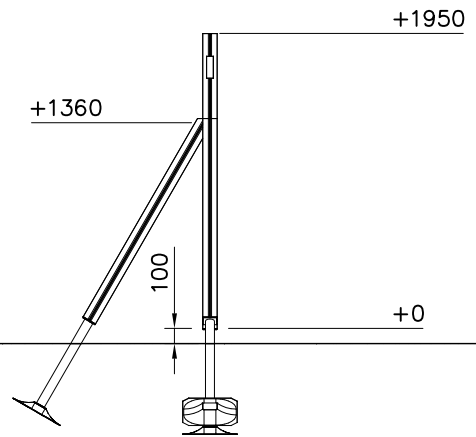


1:50

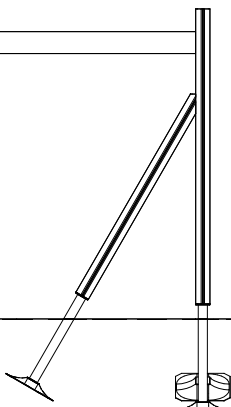
(A)



(B)



(C)



(D)

