

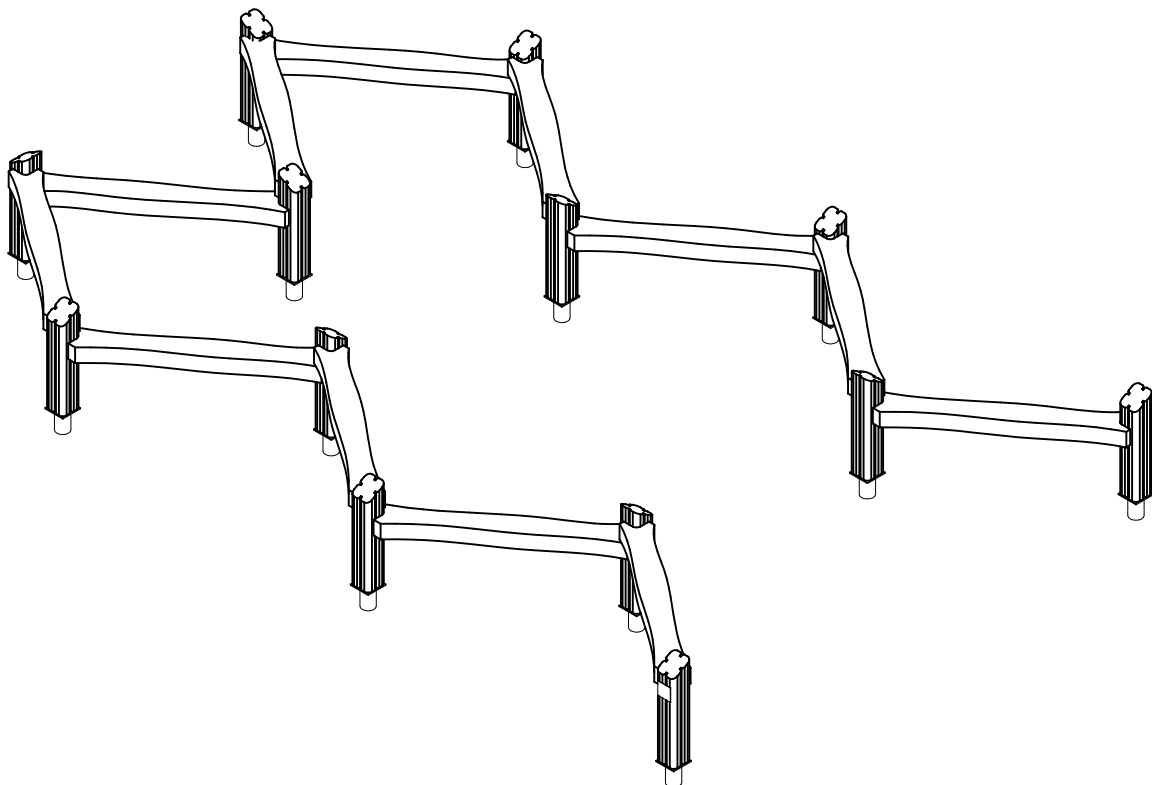
LAPPSET®

FLORA



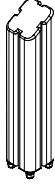
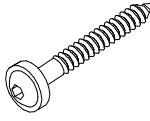
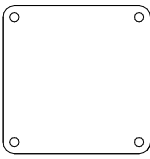
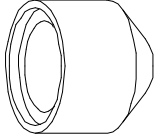
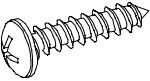
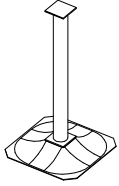
A SENNUSOHJE
MONTERINGSANSVISNING
INSTALLATION INSTRUCTION
AUFBAUANLEITUNG
NOTICE D'INSTALLATION

DATE: 12.11.2013

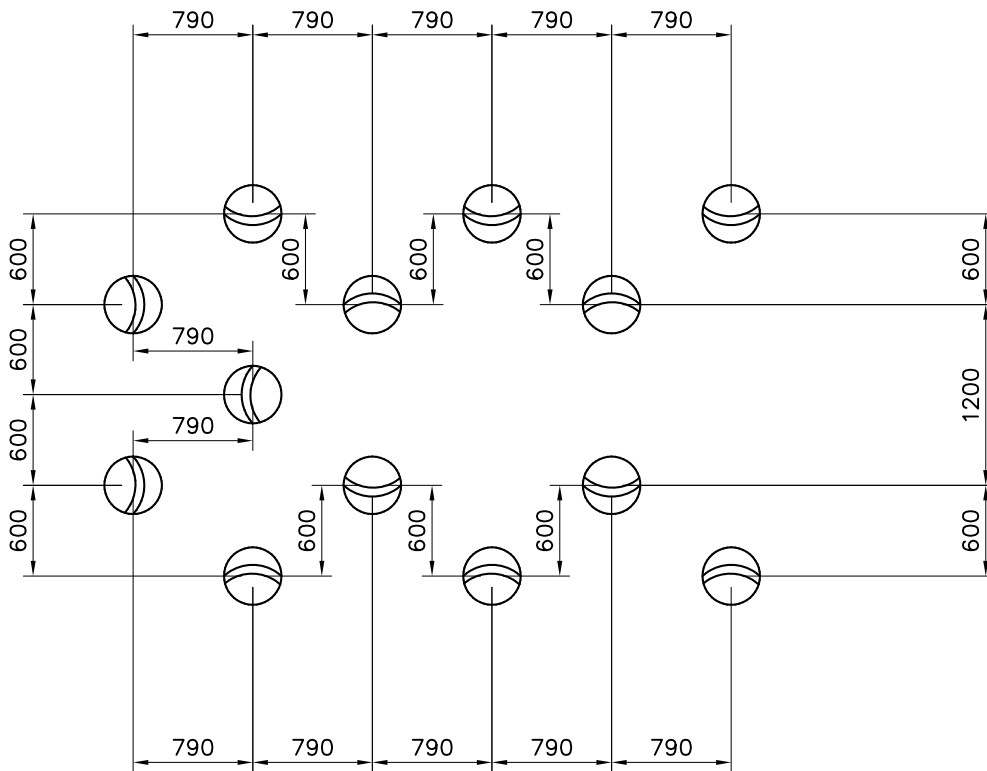
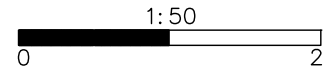
175535

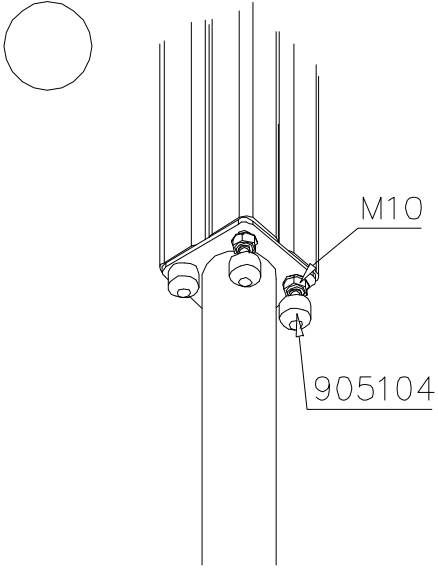
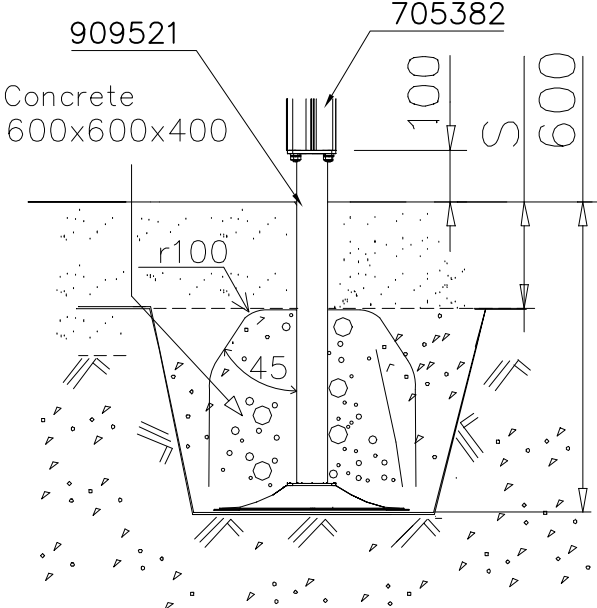


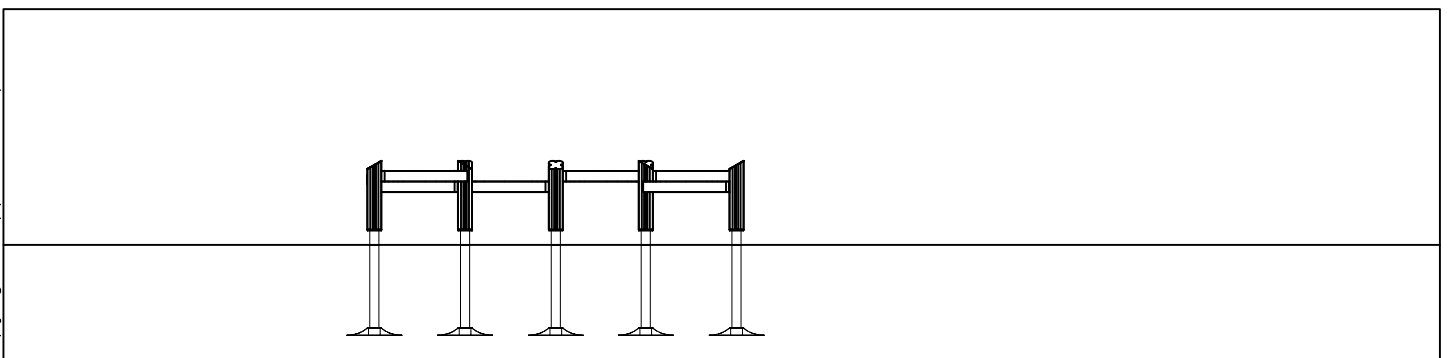
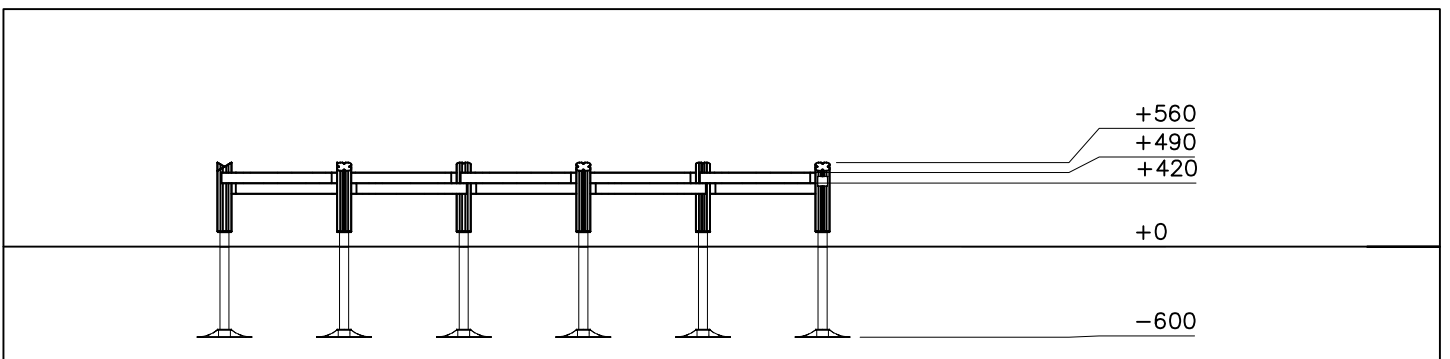
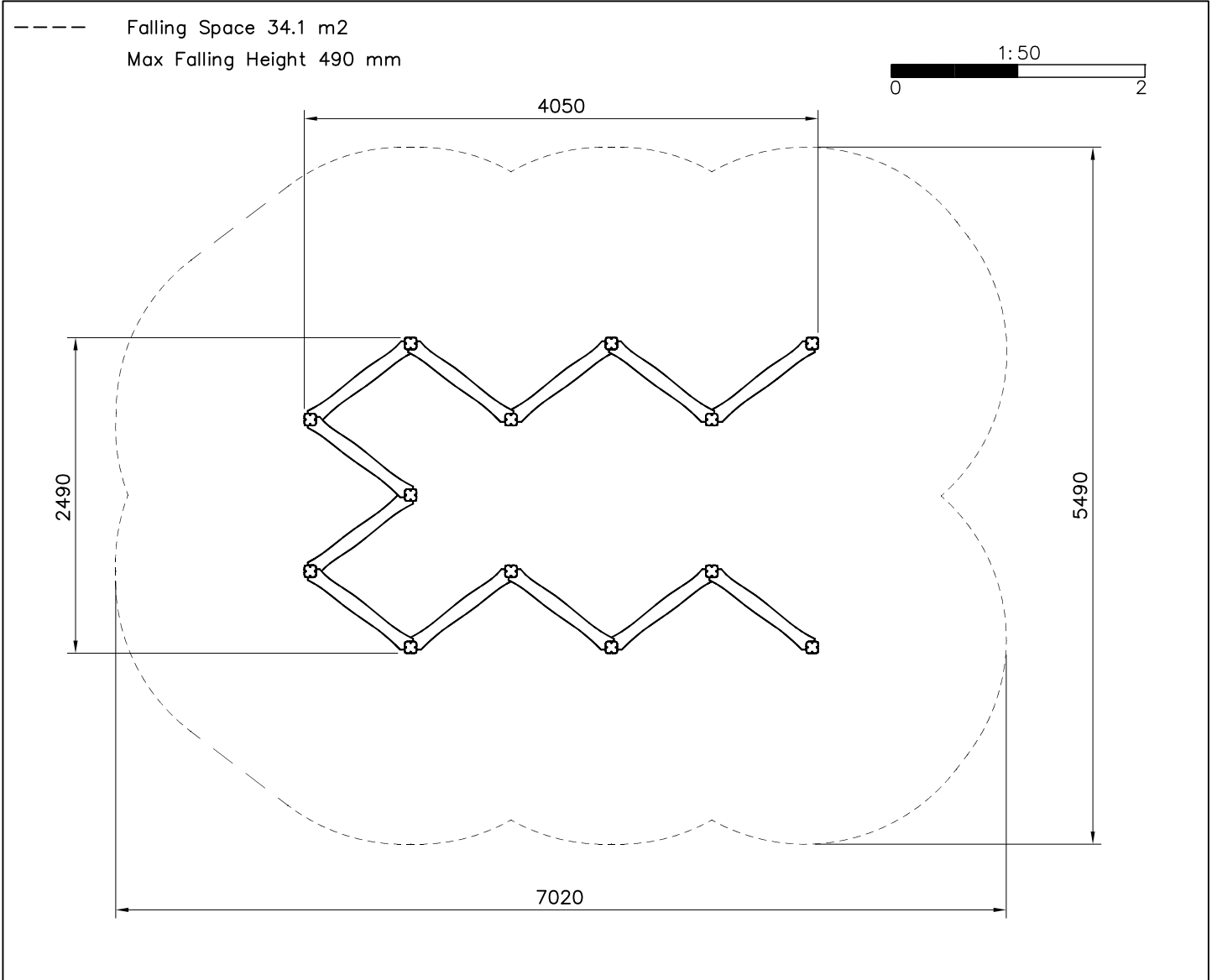
DATE: 12.11.2013

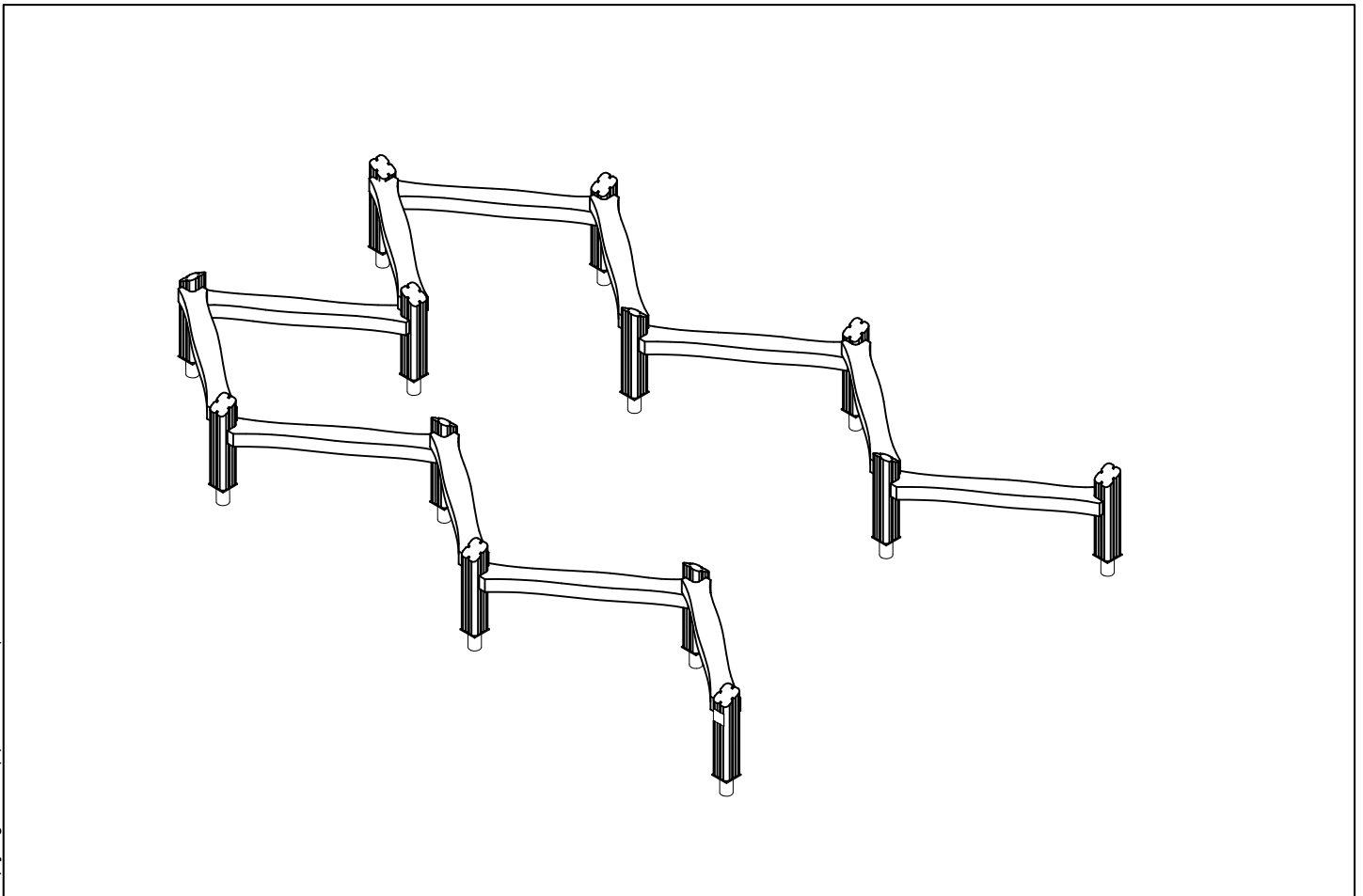
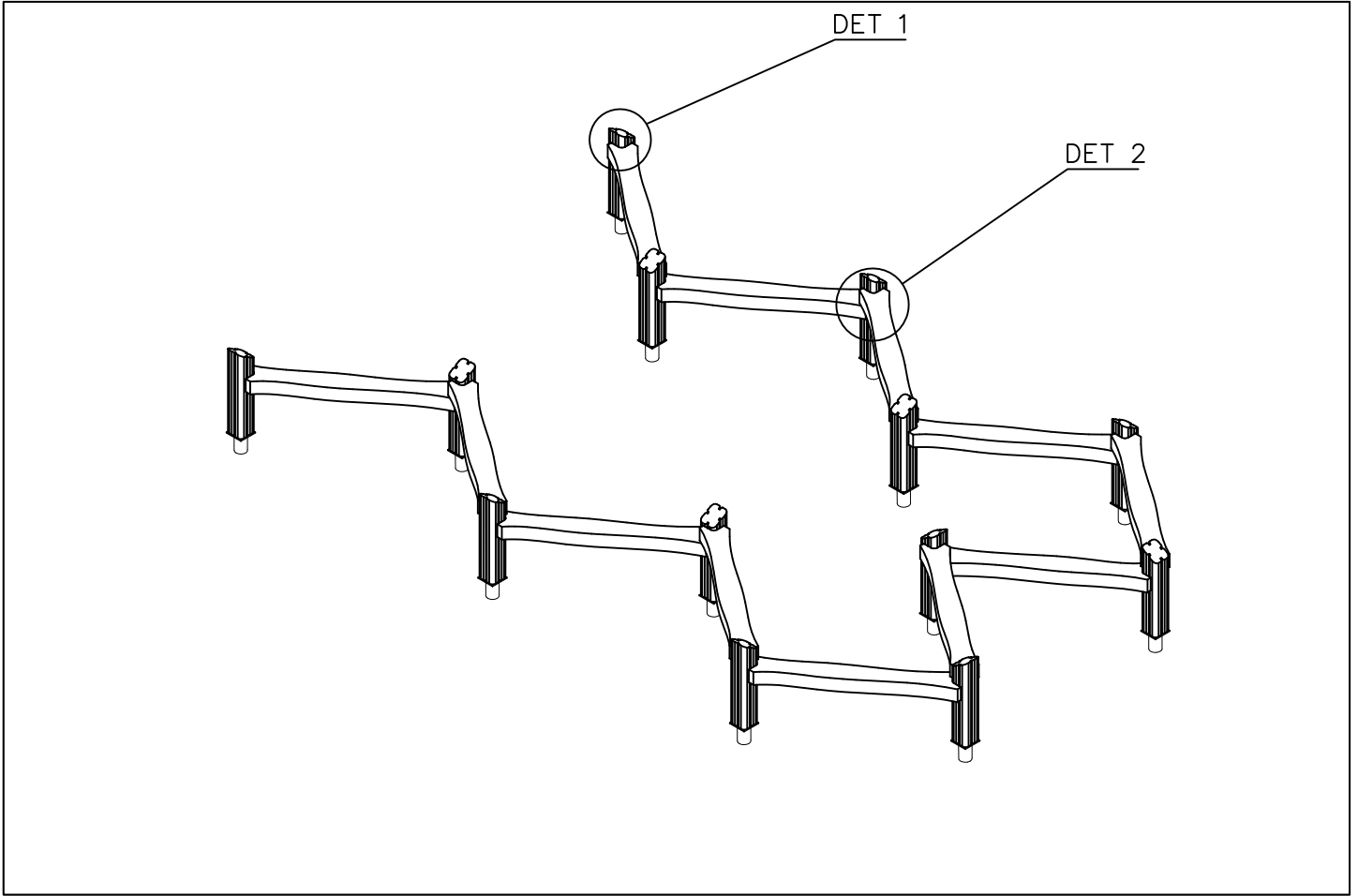
702286	PCS	705218	PCS	705382	PCS	900240	PCS	902487	PCS	905104	PCS
	1		12		13		48		1		52
90x50		L 965		L 450		Ø8x70		65x65x0,5		M10	
909506	PCS	909521	PCS		PCS		PCS		PCS		PCS
	4		13								
Ø3,5x13											
	PCS		PCS		PCS		PCS		PCS		PCS
	PCS		PCS		PCS		PCS		PCS		PCS
	PCS		PCS		PCS		PCS		PCS		PCS
	PCS		PCS		PCS		PCS		PCS		PCS

----- Falling Space 34.1 m²
Max Falling Height 490 mm

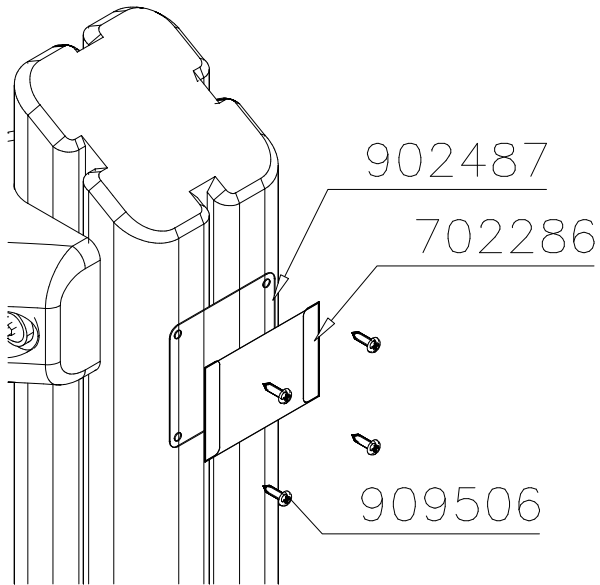


 <p>M10</p> <p>905104</p>	 <p>909521</p> <p>705382</p> <p>Concrete 600x600x400</p> <p>r100</p> <p>45</p>

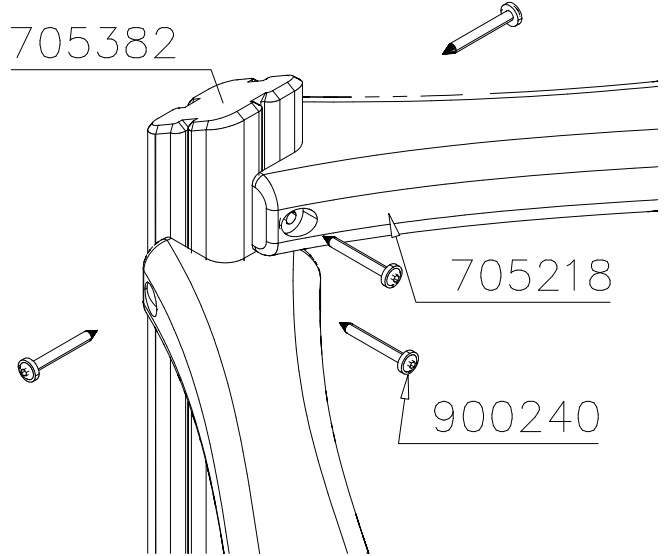




DET 1



DET 2



DET 3

DET 4

DET 5

DET 6

