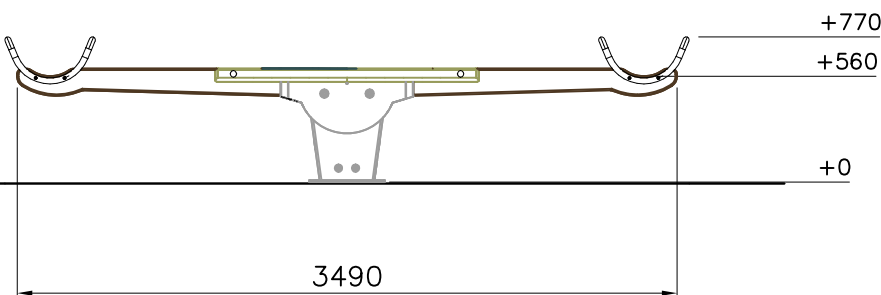
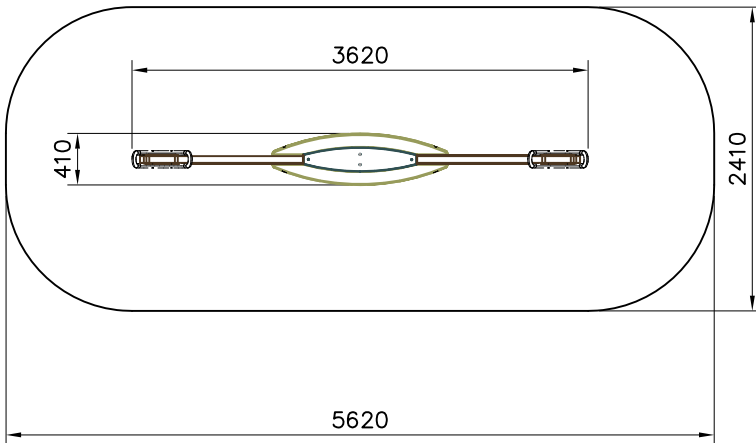
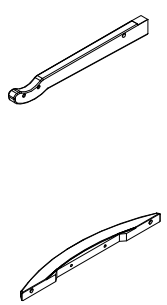
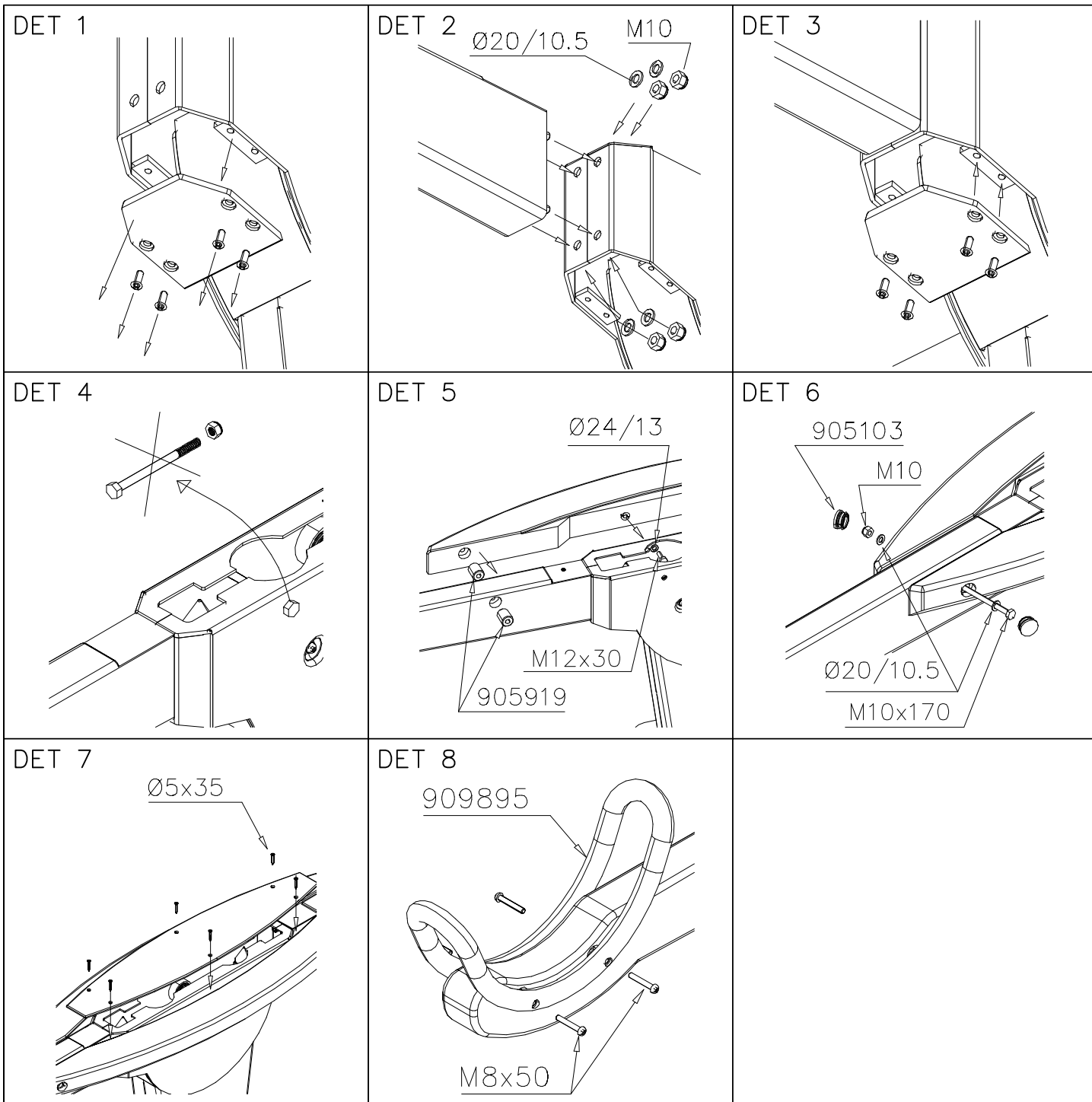


EN Impact Area 12.7 m²
Max falling height 840 mm.



① 706726	PCS	② 706733	PCS
	1		2
10x191,5x900			
③ 706734	PCS	④ 900208	PCS
	2		2
70x164.6x1395		M10x170	
⑤ 903149	PCS	⑥ 905103	PCS
	4		4
M12x30		PT-28/32-H	
⑦ 905919	PCS	⑧ 907786	PCS
	4		1
Ø32x38			
⑨ 909301	PCS	⑩ 909637	PCS
	8		2
M8x50		M10	
⑪ 909638	PCS	⑫ 909895	PCS
	4		2
Ø20/10.5		479x249x134	
⑬ 980129	PCS	⑭ 980154	PCS
	6		4
Ø5x35		Ø24/13	
	PCS		PCS



- | | |
|------------|-------------|
| 706733-602 | DARK BROWN |
| 706733-603 | LIGHT BROWN |
| 706733-604 | GREY |
| 706734-605 | DARK GREY |
| 706734-606 | LIGHT GREY |
| 706734-607 | RED |
| 706734-608 | BLUE |
| 706734-609 | GREEN |
| 706734-610 | YELLOW |
| 706734-611 | LIME |
| 706734-612 | FUXIA |