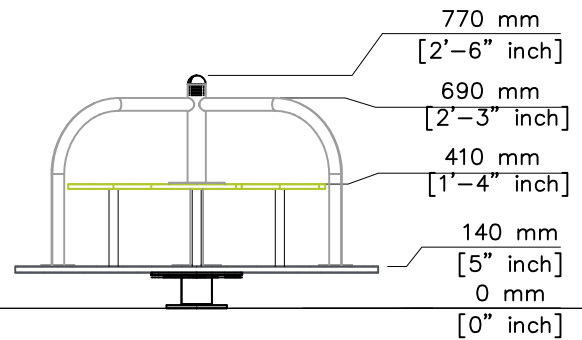
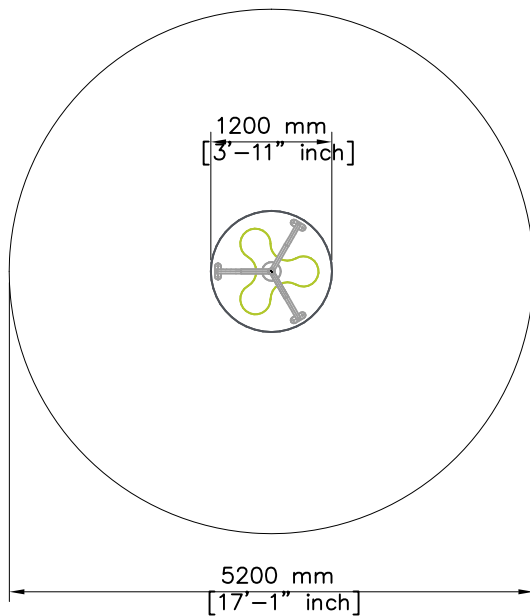


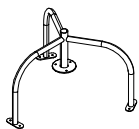
EN Impact Area 21.2 m² (228 sq ft)
 Falling space 21.2 m² (228 sq ft)
 Max falling height 1000 mm. (3'-3" in)



<p>DET 1</p> <p>M12x40 (900367)</p> <p>M12 (902234)</p>	<p>DET 2</p> <p>NOTE: Aluminum thread fasten carefully.</p> <p>903388</p> <p>M8x30 (909852)</p>	<p>① 702341</p> <p>90x50</p>	<p>② 702852</p> <p>Ø1200x20</p>
<p>DET 3</p> <p>NOTE: Aluminum thread fasten carefully.</p> <p>M8x30</p> <p>903388</p>	<p>DET 4</p> <p>M8 (909633)</p> <p>Ø16/8.4 (909256)</p> <p>M8x30</p>	<p>③ 703058</p> <p>850x776x15</p>	<p>④ 900367</p> <p>M12x40</p>
<p>DET 5</p> <p>M8x30</p> <p>Ø16/8.4</p> <p>M8</p>	<p>DET 6</p> <p>902624</p> <p>M8x30</p>	<p>⑤ 902012</p> <p>300x110</p>	<p>⑥ 902234</p> <p>M12</p>
<p>DET 5</p> <p>M8x30</p> <p>Ø16/8.4</p> <p>M8</p>	<p>DET 6</p> <p>902624</p> <p>M8x30</p>	<p>⑦ 902624</p> <p>Ø60x69 (Ø54-57)</p>	<p>⑧ 903388</p> <p>Ø30x257</p>
<p>DET 5</p> <p>M8x30</p> <p>Ø16/8.4</p> <p>M8</p>	<p>DET 6</p> <p>902624</p> <p>M8x30</p>	<p>⑨ 907790</p> <p>898x1028x602</p>	<p>⑩ 909256</p> <p>Ø16/8.4x1.6</p>
<p>DET 5</p> <p>M8x30</p> <p>Ø16/8.4</p> <p>M8</p>	<p>DET 6</p> <p>902624</p> <p>M8x30</p>	<p>⑪ 909633</p> <p>M8</p>	<p>⑫ 909852</p> <p>M8x30</p>

907790-216

GREY



703058-701

BLUE

703058-702

YELLOW

703058-703

LIME

703058-704

DARK GREY

703058-705

GREY

703058-706

RED

703058-707

GREEN

703058-708

FUCHIA