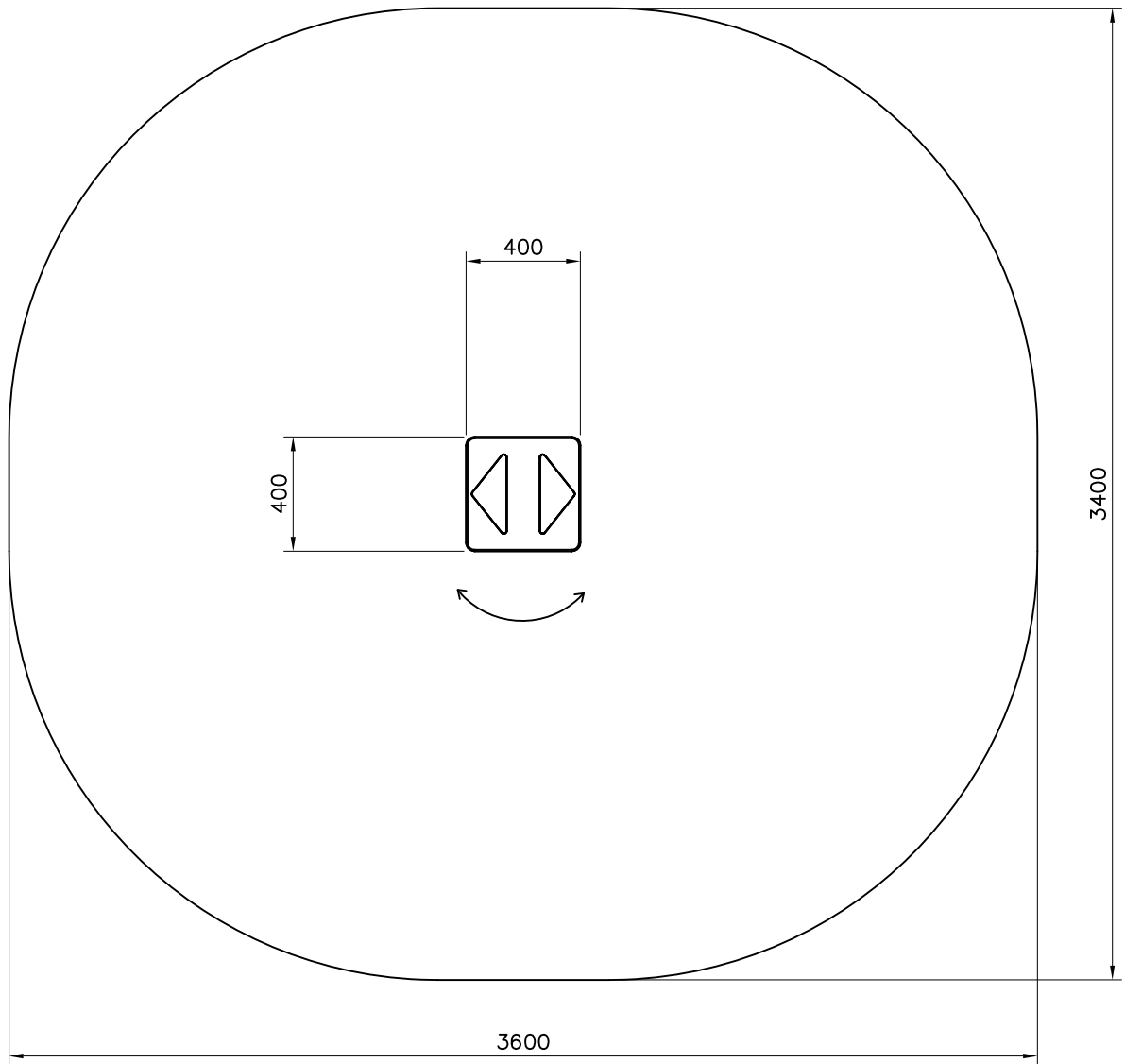


① 702286	PCS	② 707306	PCS
	1		1
90x50		20x400x400	
③ 901096	PCS	④ 903018	PCS
	8		1
M6x30		146x100x8	
⑤ 903019	PCS	⑥ 903021	PCS
	1		1
146x100x74		110x72x72	
⑦ 909633	PCS	⑧ 903159	PCS
	4		4
M8		M12x138	
⑨ 905112	PCS	⑩ 906511	PCS
	4		4
Ø22		M12	
⑪ 907811	PCS	⑫ 908219	PCS
	8		1
M6		112x288x205	
⑬ 908220	PCS	⑭ 909852	PCS
	2		4
2x120x275		M8x30	
⑮ 909256	PCS	⑯ 980154	PCS
	4		8
Ø16/8.4x1.6		Ø24/13	
		⑰ 980158	8
		Ø12/6.4	

EN Impact Area 10.3 m<sup>2</sup>  
Falling Space 10.3 m<sup>2</sup>  
Max falling height 235 mm



DET 1

