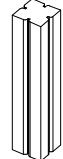
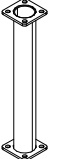
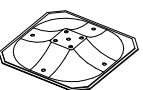



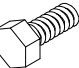
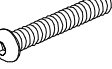
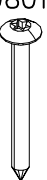

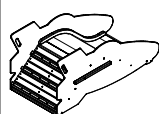
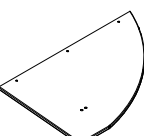

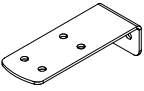
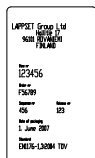
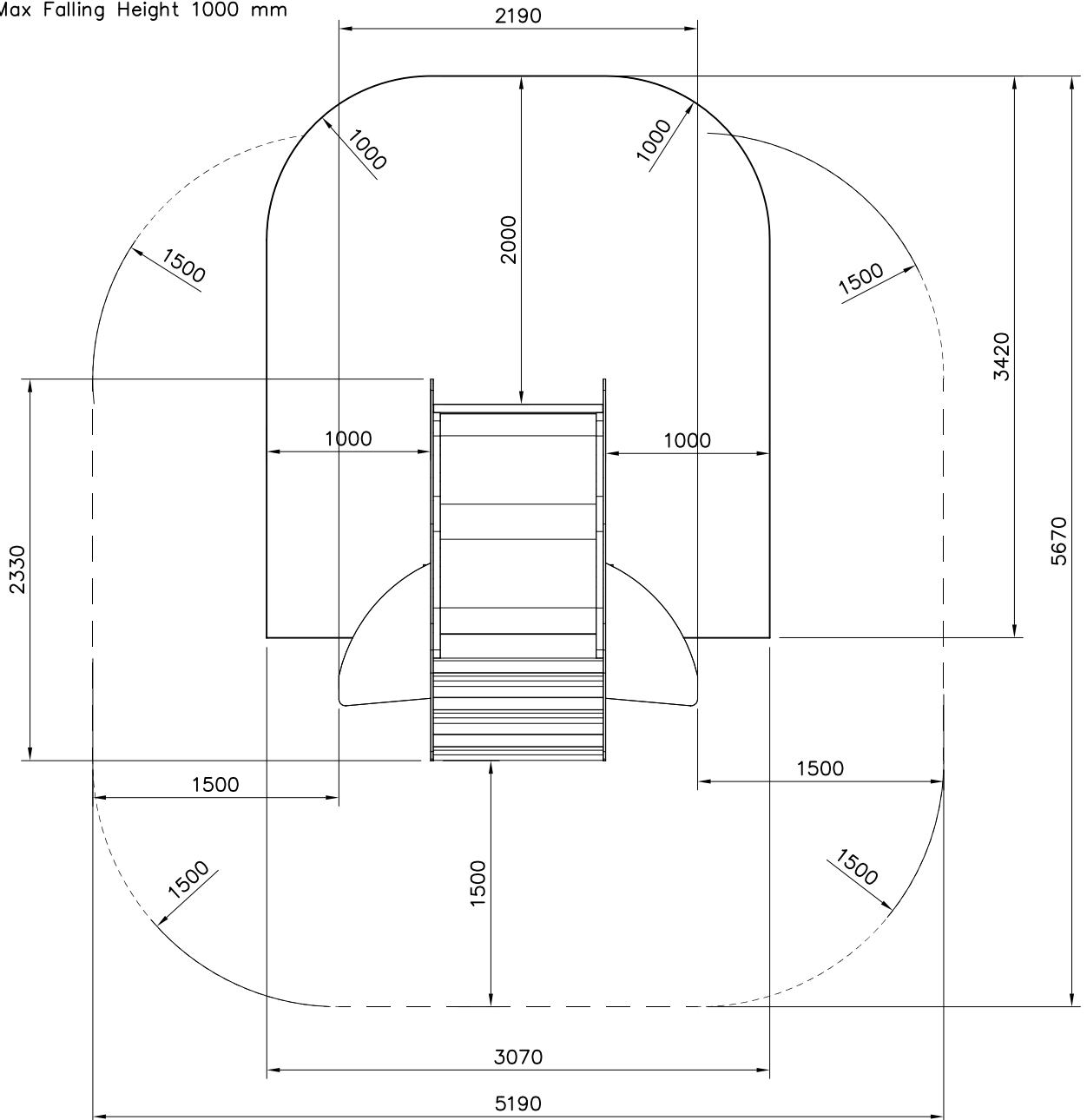
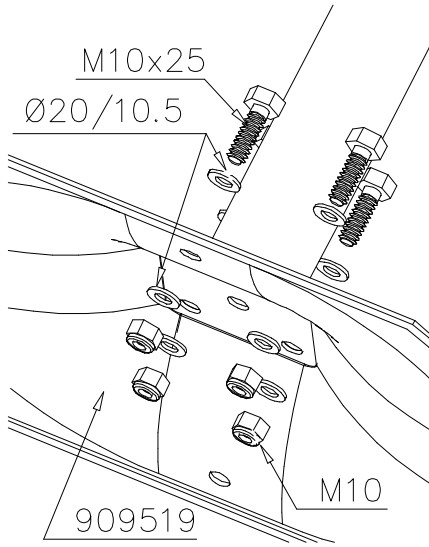


① 007704	PCS	② 902272	PCS
	2		4
95x95x450		90x90x450	
③ 909519	PCS	④ 909633	PCS
	4		4
50x380x380		M8	
⑤ 909637	PCS	⑥ 909638	PCS
	16		32
M10		Ø20/10.5	
⑦ 909639	PCS	⑧ 909852	PCS
	16		4
M10x25		M8x30	
⑨ 980123	PCS	⑩ 980128	PCS
	4		22
Ø7x60		Ø7x40	
⑪ M08413	PCS	⑫ M08506	PCS
	1		2
		15x560x870	
⑬ M08510	PCS	⑭ P06546	PCS
	2		2
15x250x500		40x150x55x3	
⑮ 702341	PCS		PCS
	1		
90x50			

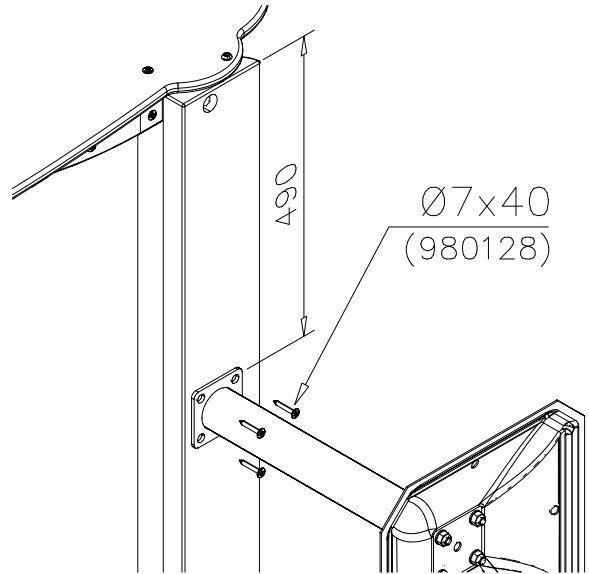
— EN Impact Area 10.1 m²
- - - Falling Space 26.4 m²
Max Falling Height 1000 mm



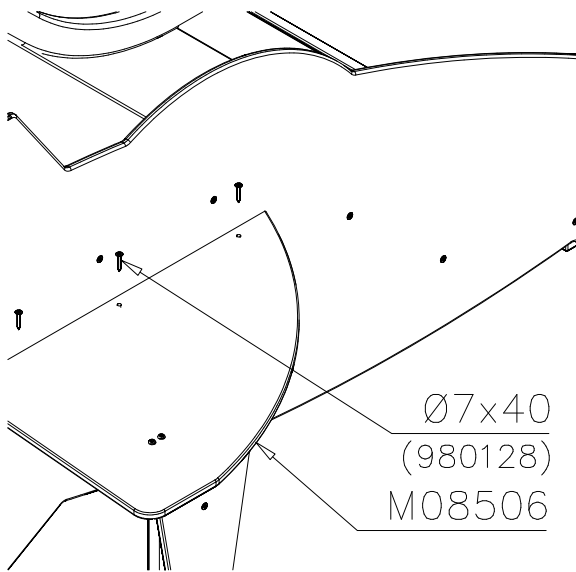
DET 1



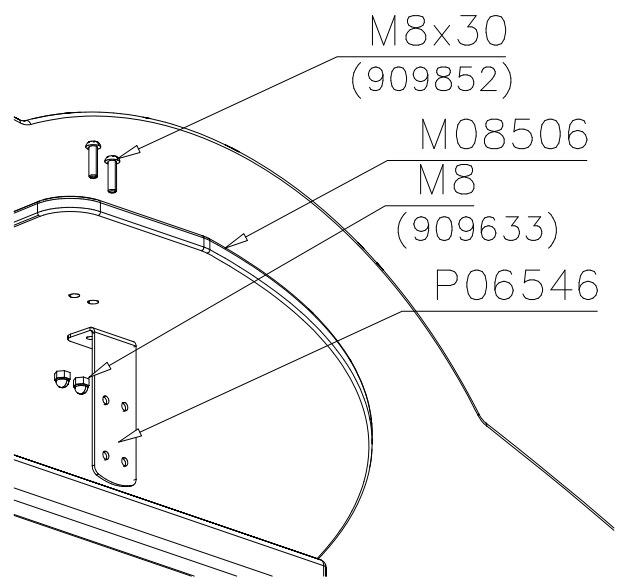
DET 2



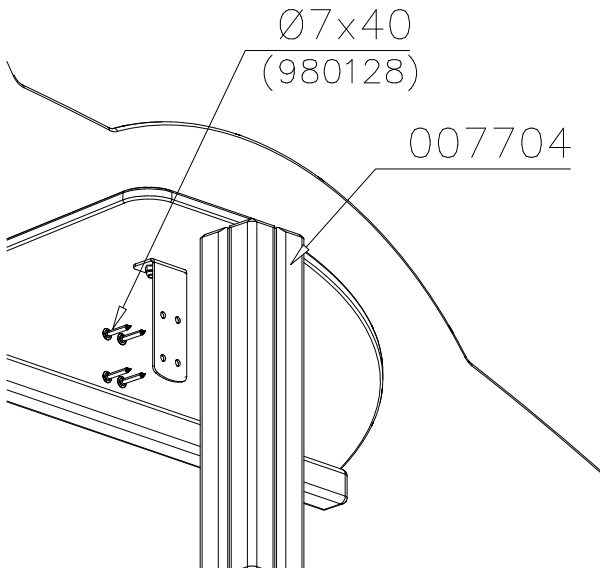
DET 3



DET 4



DET 5



DET 6

