

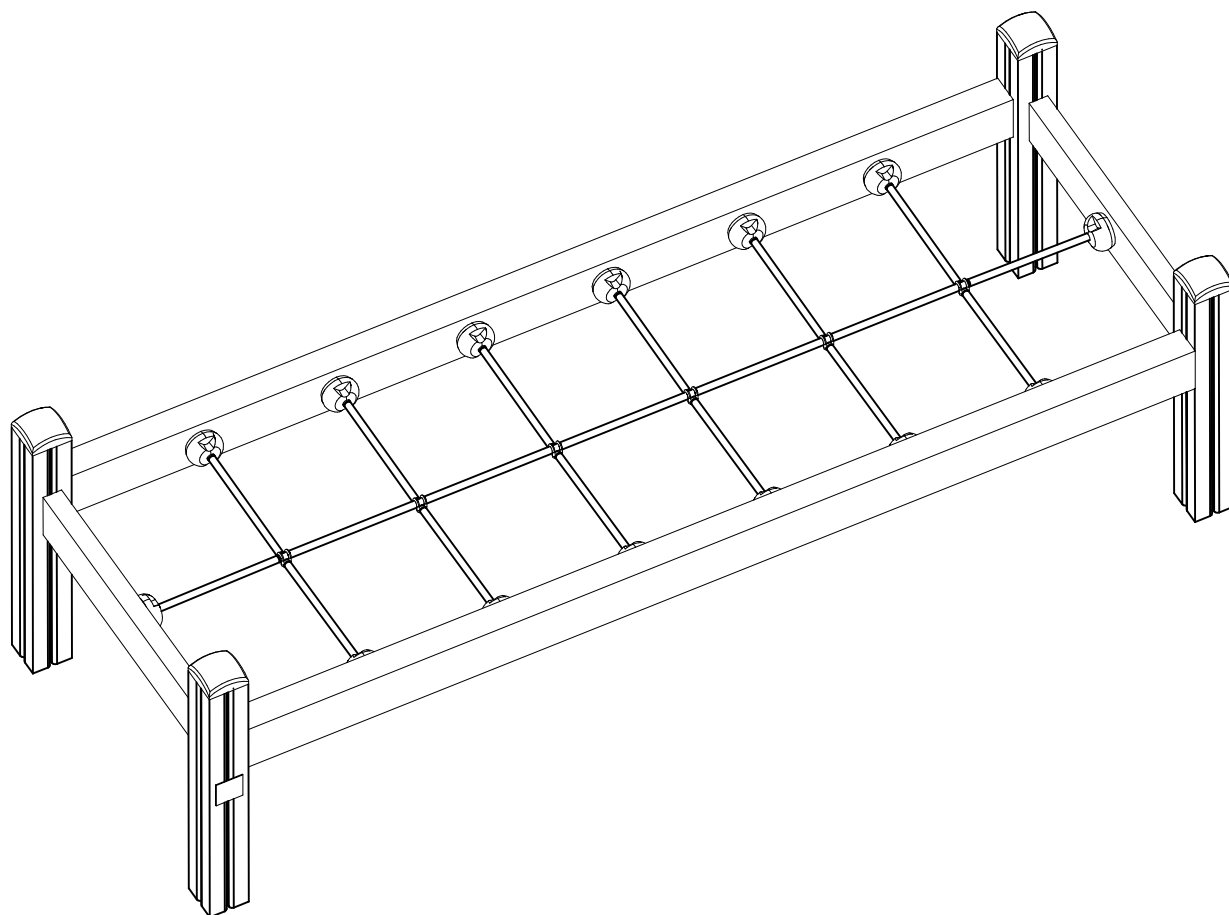
# LAPPSET®

## CLOVER



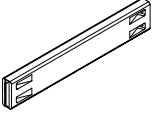

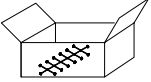
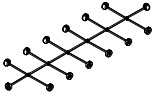
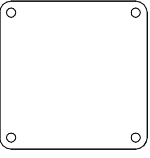
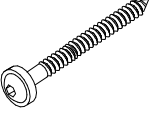

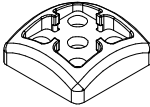
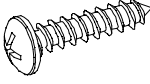
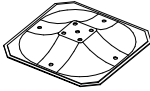
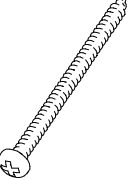
ASENNUSOHJE  
MONTERINGSANSVISNING  
INSTALLATION INSTRUCTION  
AUFBAUANLEITUNG  
NOTICE D'INSTALLATION

DATE: 8.2.2016

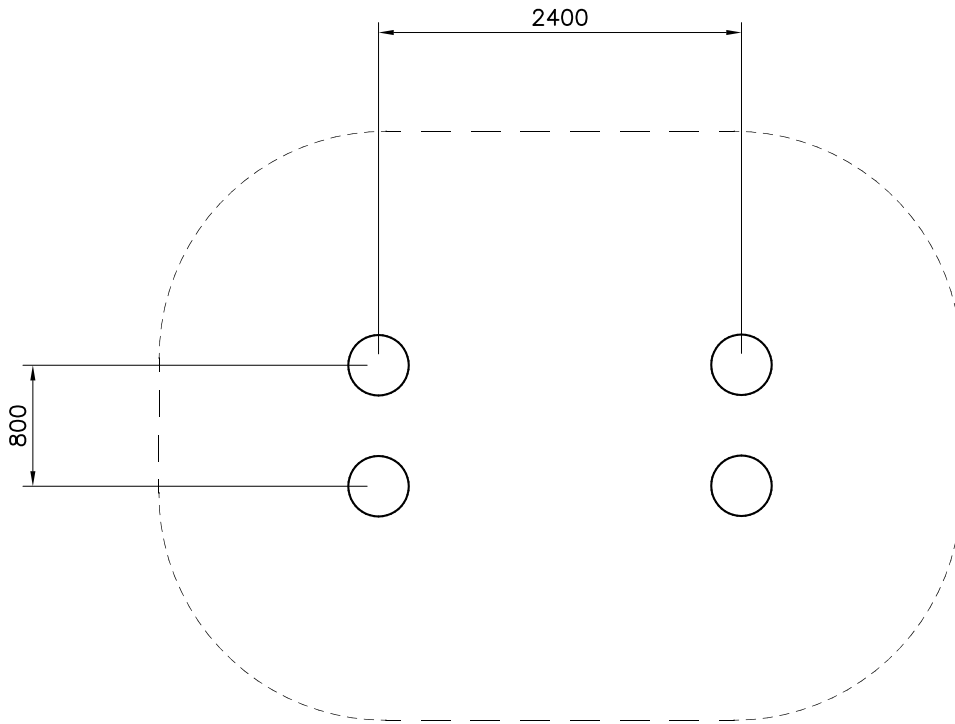
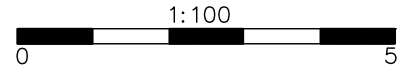
### 175019



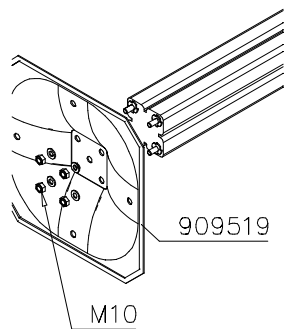
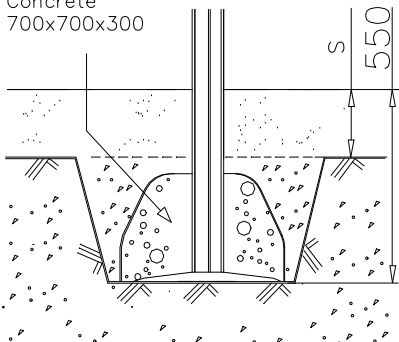
DATE: 8.2.2016

701401  L 1250	PCS 4	702286  90x50	PCS 1	706439  L 704	PCS 2	707294  70x120x2304	PCS 2	707527  755x2355	PCS 1	707530-305  755x2355	PCS 1
902487  65x65	PCS 1	903093  Ø8x90	PCS 16	905138  GRAY	PCS 4	905196  GRAY	PCS 4	909506  Ø3.5x13	PCS 4	909519  Ø3.5x13	PCS 4
980131  Ø6x60	PCS 16		PCS		PCS		PCS		PCS		PCS
	PCS		PCS		PCS		PCS		PCS		PCS
	PCS		PCS		PCS		PCS		PCS		PCS
	PCS		PCS		PCS		PCS		PCS		PCS
	PCS		PCS		PCS		PCS		PCS		PCS

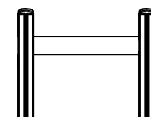
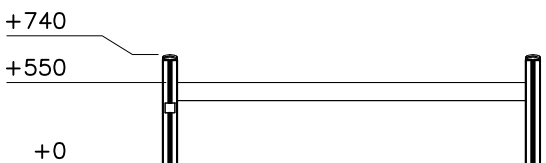
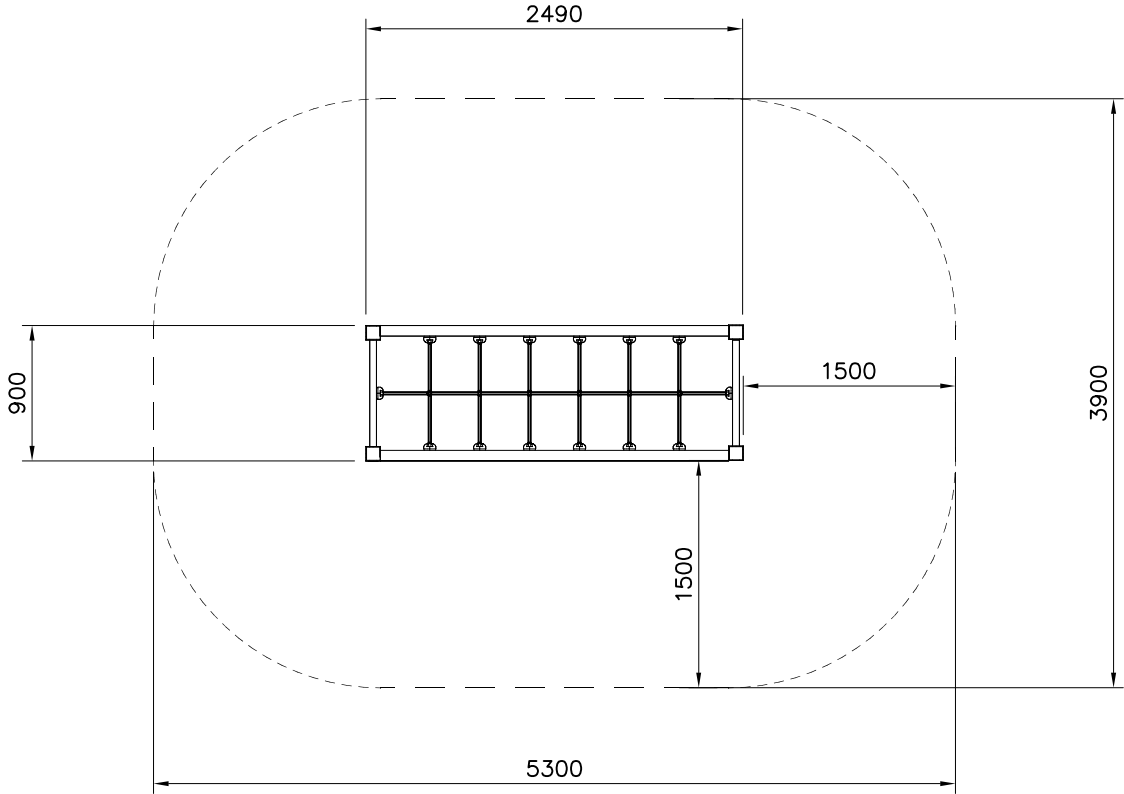
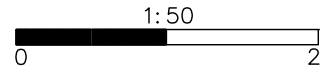
----- Falling Space 18.7 m<sup>2</sup>

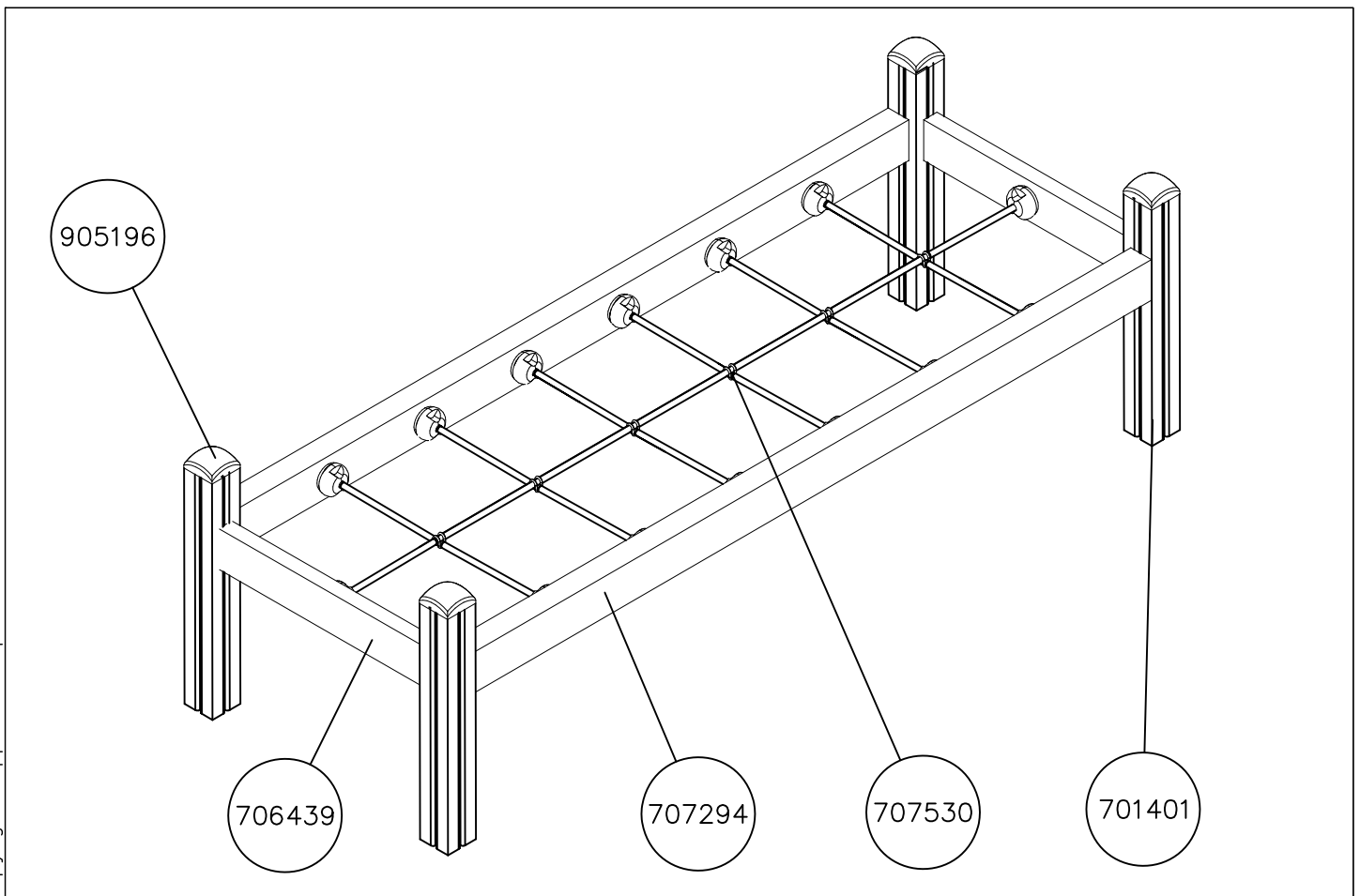
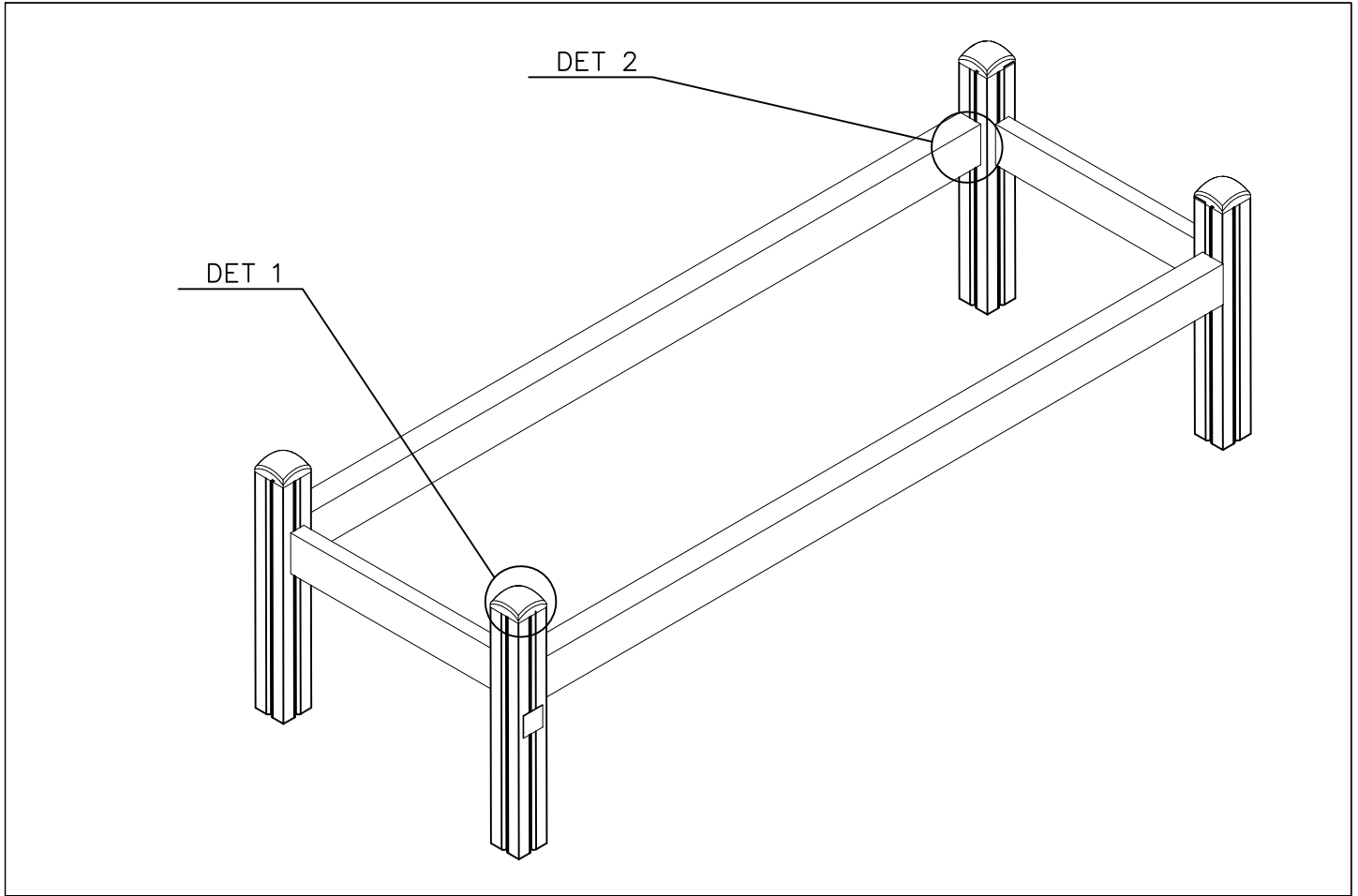


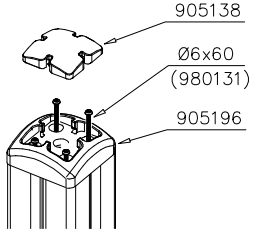
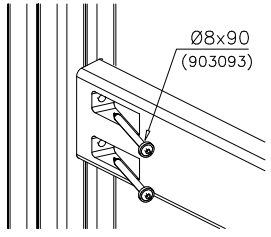
Concrete  
700x700x300



----- Falling Space 18.7 m<sup>2</sup>  
Max Falling Height 550 mm





<p>DET 1</p>  <p>905138 Ø6x60 (980131) 905196</p>	<p>DET 2</p>  <p>Ø8x90 (903093)</p>		

