

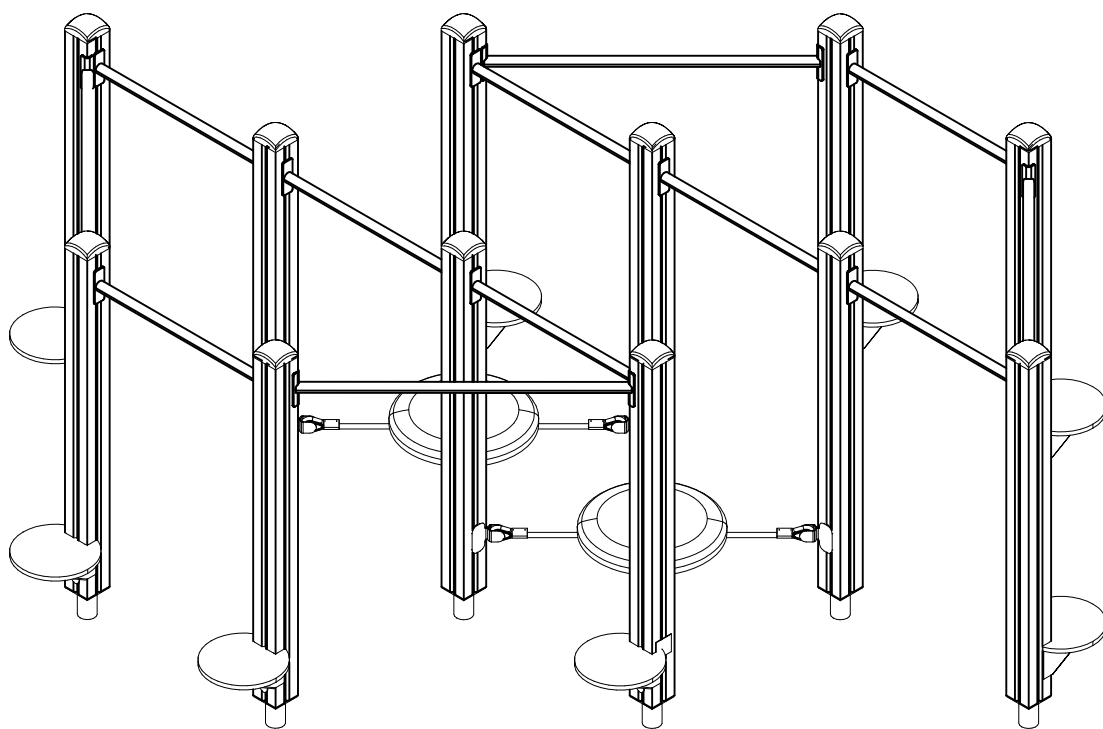
LAPPSET®

SENIOR



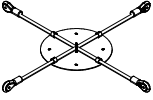
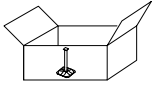
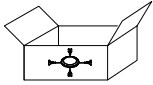
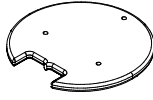
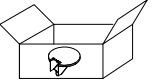
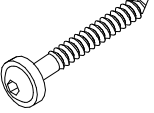
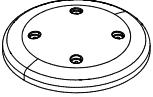
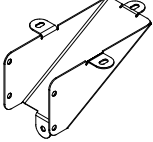
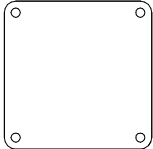
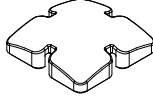
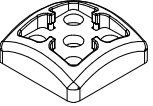
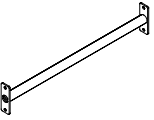
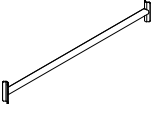
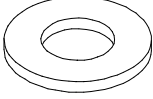
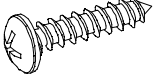
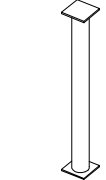
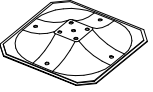
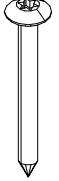
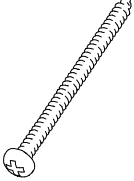
ASENNUSOHJE
MONTERINGSANSVISNING
INSTALLATION INSTRUCTION
AUFBAUANLEITUNG
NOTICE D'INSTALLATION

DATE: 8.6.2016

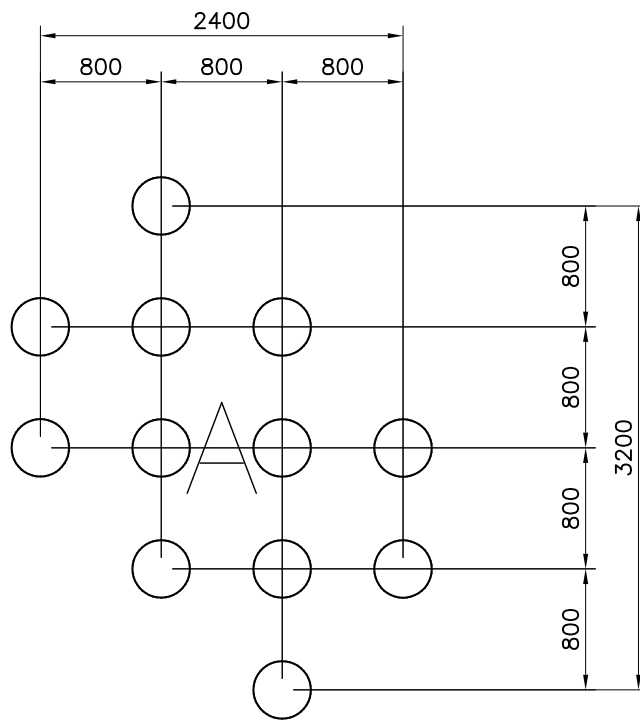
120031M



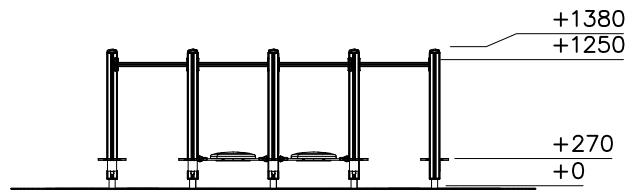
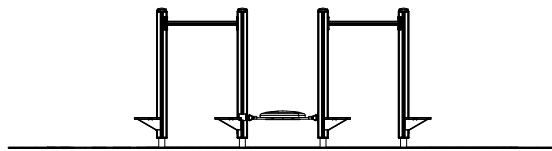
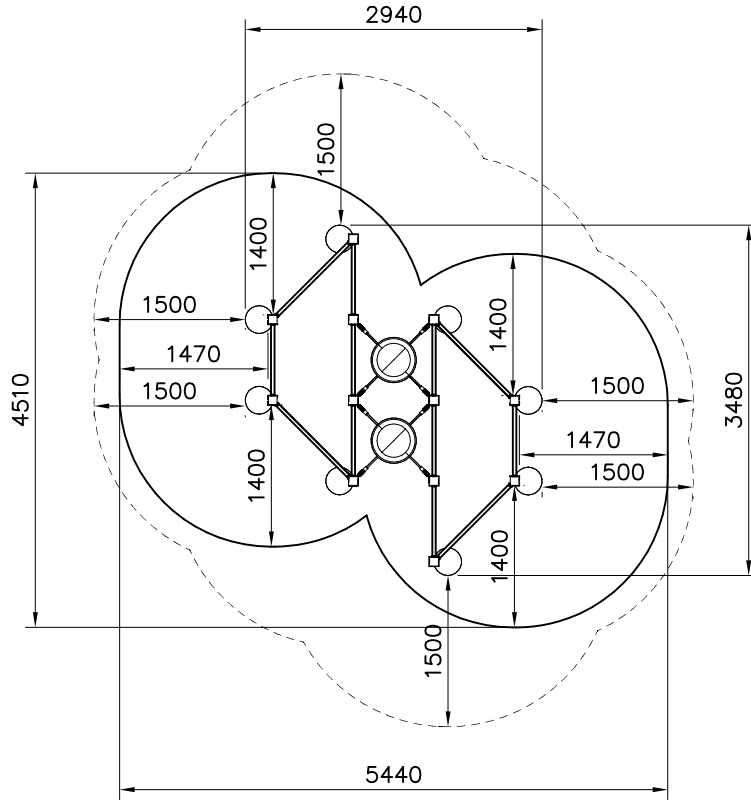
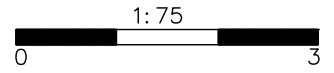
DATE: 19.5.2016

701401-602	PCS	702286	PCS	706059-303	PCS	706531	PCS	707373	PCS	707696-704	PCS
	12		1		2		12		2		8
L 1250		90x50		L 926						15x265x275	
707729	PCS	900240	PCS	900733	PCS	902086	PCS	902487	PCS	905138	PCS
	8		32		2		8		1		12
		Ø8x70		Ø450x83		148x172x254		65x65		GRAY	
905196	PCS	907694-217	PCS	907920-217	PCS	909256	PCS	909506	PCS	909511	PCS
	12		8		4		16		4		12
GRAY		L 704		DIAG.		Ø16/8,4		Ø3.5x13		90x90x650	
909519	PCS	980123	PCS	980131	PCS						
	12		16		48						
50x380x380		Ø7x60		Ø6x60							
	PCS		PCS		PCS		PCS		PCS		PCS
	PCS		PCS		PCS		PCS		PCS		PCS

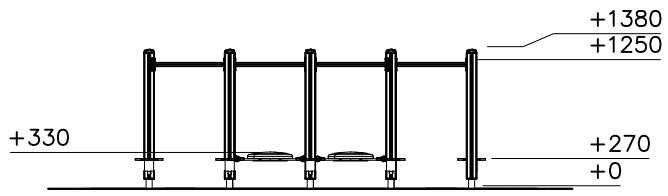
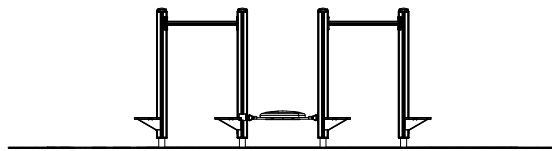
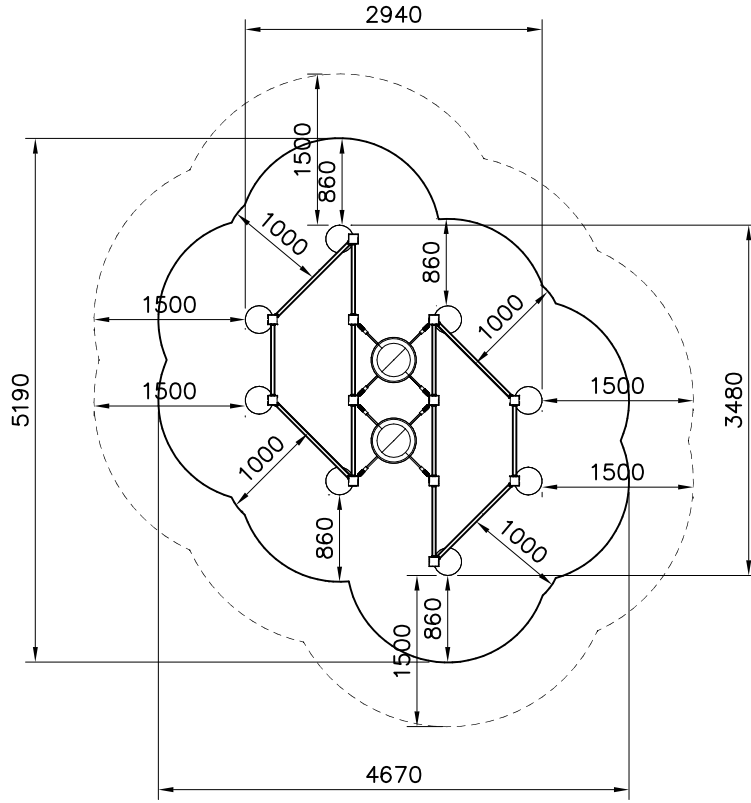
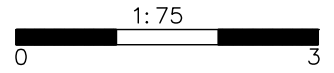
- EN/AS Impact Area 17.6 m²
- - - - Falling Space 27.7 m²
Max Falling Height 1250 mm

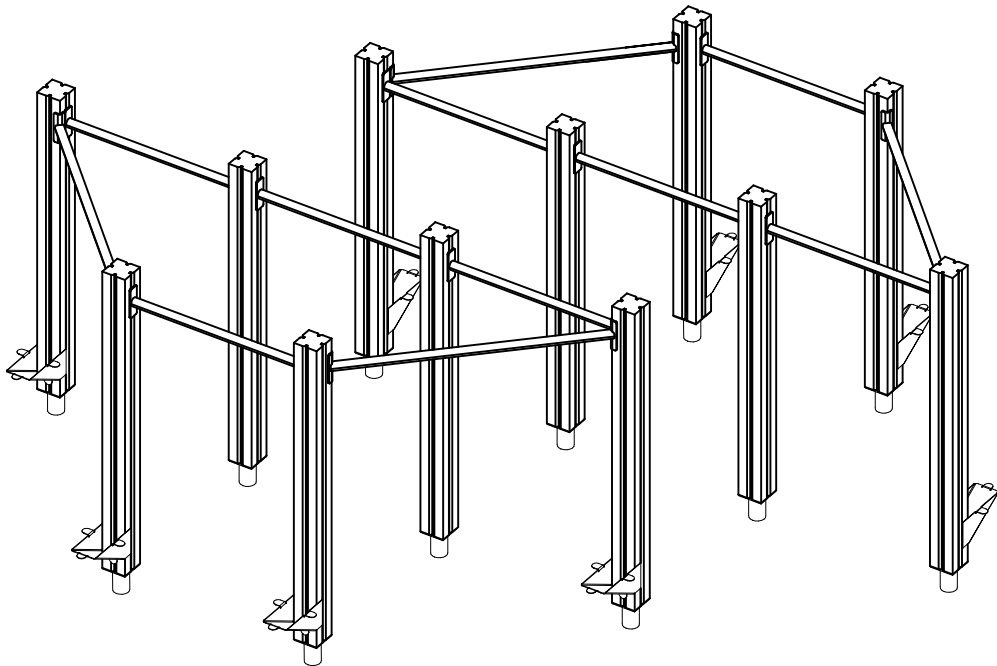


- EN/AS Impact Area 17.6 m²
- - - - Falling Space 27.7 m²
- Max Falling Height 1250 mm



- Training Space 16.6 m²
- - - - Area of Movement 27.7 m²
 Max Falling Height 330 mm

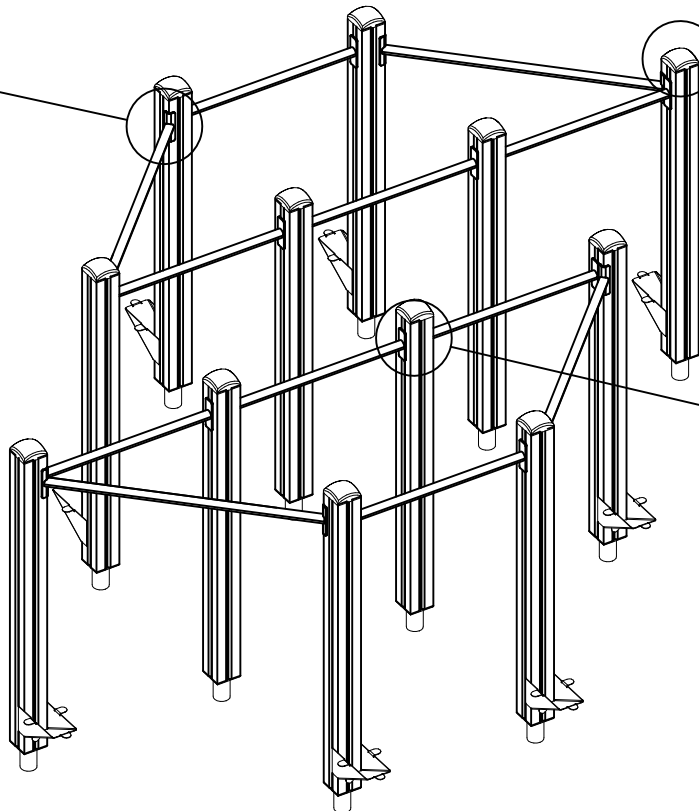


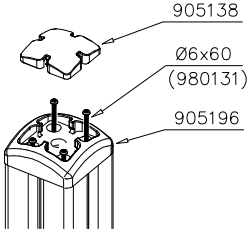
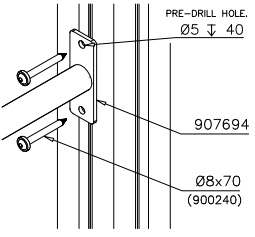
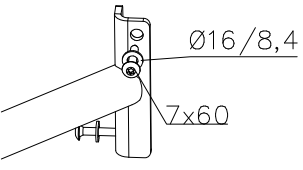


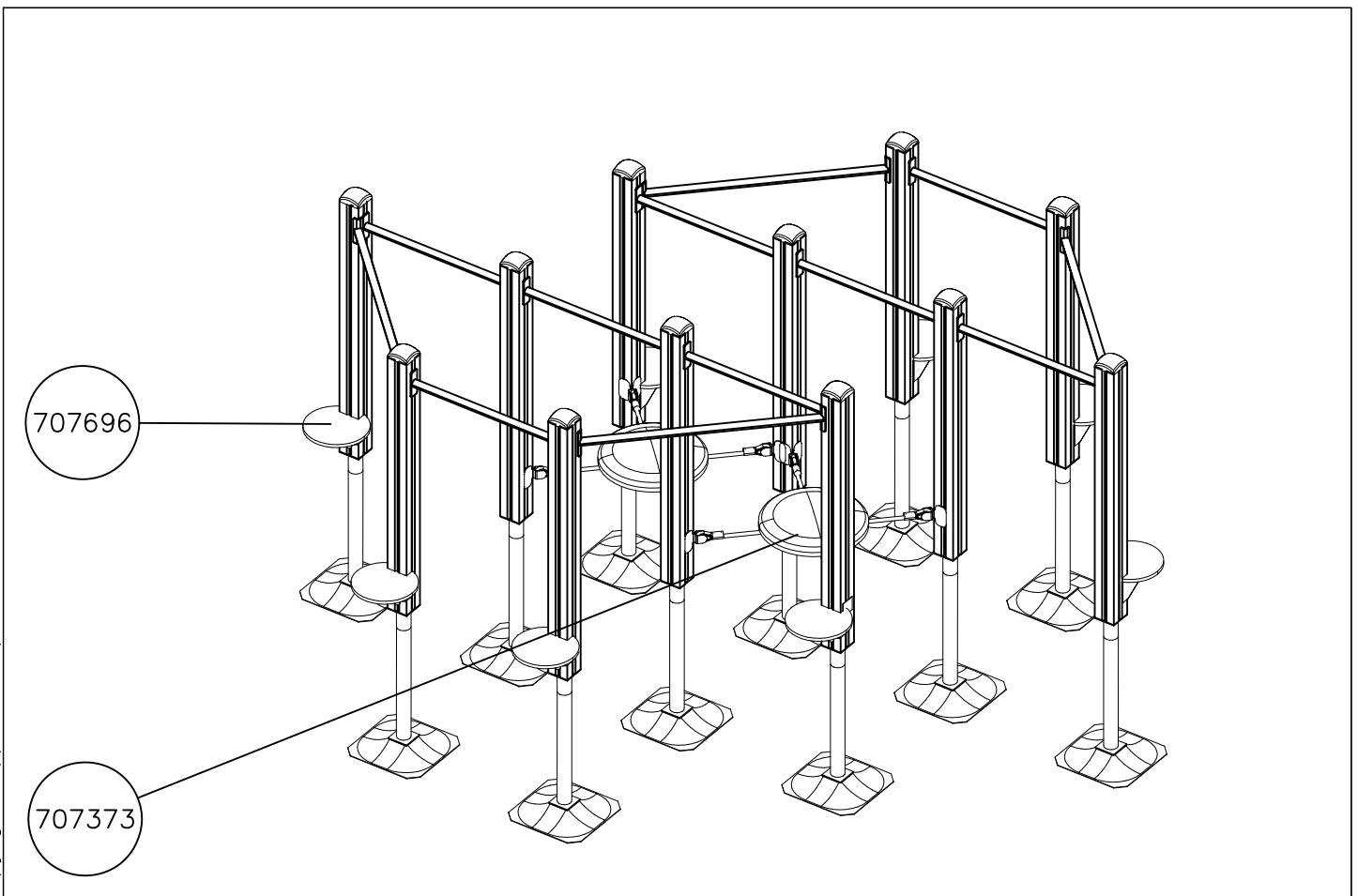
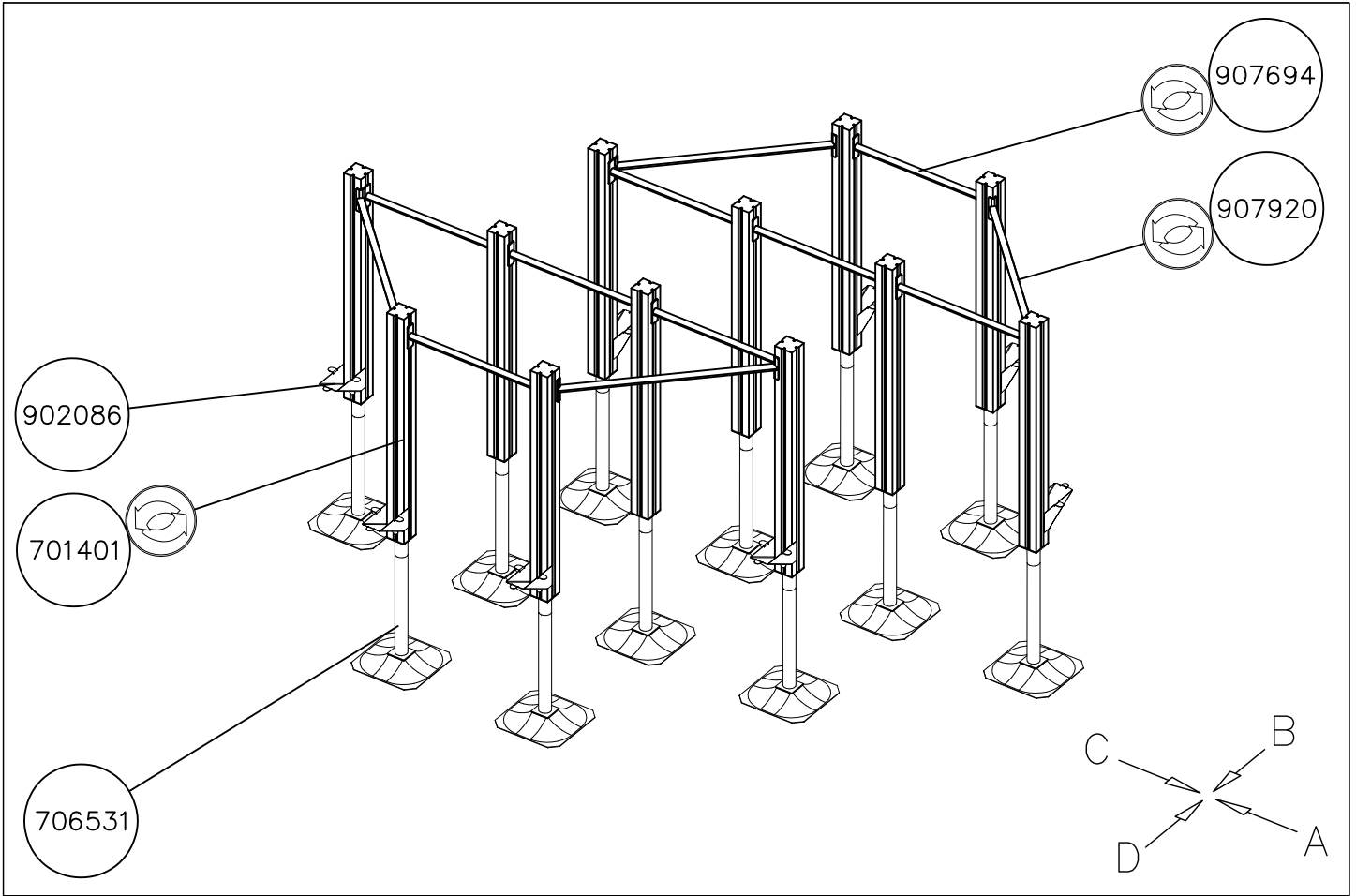
DET 3

DET 1

DET 2



<p>DET 1</p> 	<p>DET 2</p> 	<p>DET 3</p> 	



DATE: 8.6.2016

1:50

